



Air Conditioning & Heating

GPH13H

PACKAGED HEAT PUMP

13 SEER / R-410A

2 TO 5 TONS

COOLING CAPACITY: 24,000 - 57,500 BTU/H

HEATING CAPACITY: 22,000 - 54,500 BTU/H

Contents

Nomenclature	2
Product Specifications	3
Expanded Cooling Data	4
Airflow Data	16
Expanded Heating Data.....	17
Heat Kit Electrical Data.....	20
Dimensions	21
Wiring Diagrams	22
Accessories	24



Standard Features

- Energy-efficient compressor with internal relief valve
- PSC blower motor; EEM blower motor on 5-ton units
- Quiet horizontal discharge
- Copper tube/aluminum fin coil
- Totally enclosed, permanently lubricated condenser fan motor
- Fully charged system
- Electric heat kit available as a field-installed option
- AHRI Certified
- ETL Listed

Cabinet Features

- Heavy-gauge galvanized-steel cabinet with attractive Architectural Gray powder-paint finish
- Fully insulated blower compartment with convenient access panels
- Louvered condenser coil protection
- One footprint; three heights



* Complete warranty details available from your local dealer or at www.goodmanmfg.com. To receive the 10-Year Parts Limited Warranty, online registration must be completed within 60 days of installation. Online registration is not required in California or Quebec.

NOMENCLATURE

	G	P	H	13	36	H	4	1	A	*	
	1	2	3	4,5	6,7	8	9	10	11	12	
Brand	Goodman or Distinctions™										Engineering
											Minor Revision
Product Category	Packaged Unit										Engineering
											Major Revision
Type	Heat Pump Air Conditioner										Voltage Designator
											1 208-230/1/60 3 208-230/3/60
Efficiency	13 13 SEER 15 15 SEER 14 14 SEER 16 16 SEER										Refrigerant
											4 R-410A
Nominal Capacity	24 2 Tons 42 3½ Tons 30 2½ tons 48 4 Tons 36 3 Tons 60 5 Tons										Configuration
											H Horizontal M Multi-position



SPECIFICATIONS

	GPH13 24H41C*	GPH13 30H41C*	GPH13 36H41C*	GPH13 42H41C*	GPH13 48H41D*	GPH13 60H41D*
COOLING CAPACITY						
Total BTU/h	24,000	28,000	35,000	40,500	46,000	57,500
Sensible BTU/h	19,200	22,300	26,400	29,400	35,700	42,700
SEER / EER	13.0 / 11.0	13.0 / 11.0	13.0 / 11.0	13.0 / 11.0	13.0 / 11.0	13.0 / 11.0
Decibels	76	76	78	78	80	80
AHRI Numbers	5677868	5677869	5677870	5677871	5677872	5677873
HEATING CAPACITY						
BTU/h (47°F)	22,000	27,400	33,600	38,000	44,500	54,500
C.O.P. (47°F)	3.4	3.4	3.4	3.6	3.6	3.6
BTU/h (17°F)	14,000	15,800	18,000	21,800	26,000	32,000
C.O.P. (17°F)	2.4	2.1	2.4	2.2	2.4	2.4
HSPF	7.7	7.7	7.7	7.7	7.7	7.7
EVAPORATOR MOTOR						
Type	DD	DD	DD	DD	DD	EEM
Wheel (D x W)	9 x 6	9 x 6	9 x 8	10 x 8	10 x 8	11 x 8
Nominal Cooling CFM	850	1,050	1,200	1,400	1,600	1,850
RLA / LRA	1.5 / 2.2	1.86 / 3.2	1.86 / 3.2	2.87 / 4.9	2.87 / 4.9	5.8 / 8.0
No. of Speeds	3	3	3	3	3	3
Horsepower - RPM	¼ - 952	¼ - 1,020	¼ - 1,020	¼ - 1,050	½ - 1,005	¾ - 1,005/Var
EVAPORATOR COIL						
Face Area (ft ²)	5.2	5.2	6.2	6.2	6.2	7.0
Rows Deep / Fins per Inch	3 / 14	3 / 14	3 / 14	4 / 14	4 / 14	4 / 14
Filter Size (ft ²)	20 x 20 x 1	20 x 25 x 1	25 x 25 x 1	(2) 20 x 20 x 1	(2) 20 x 20 x 1	(2) 20 x 25 x 1
Drain Size (NPT)	¾"	¾"	¾"	¾"	¾"	¾"
Refrigerant Charge (oz.)	105	105	120	140	170	170
CONDENSER FAN / COIL						
Horsepower - RPM	1/6 - 815	1/6 - 815	¼ - 830	¼ - 1075	¼ - 1075	¼ - 1075
RLA/LRA	1.1 / 1.7	1.1 / 1.7	1.5 / 3.0	1.4 / 2.9	1.4 / 2.9	1.4 / 2.9
Fan Diameter / # Fan Blades	22 / 3	22 / 3	22 / 4	22 / 4	22 / 4	22 / 4
Face Area (ft ²)	13.4	13.4	17	17	19.1	19.1
Rows Deep/ Fins per Inch	1 / 24	1 / 24	1 / 24	1 / 24	2 / 16	2 / 16
COMPRESSOR						
Quantity / Type	1 / Scroll	1 / Scroll	1 / Scroll	1 / Scroll	1 / Scroll	1 / Scroll
Stage	Single	Single	Single	Single	Single	Single
Compressor RLA / LRA	12.8 / 58.3	14.1 / 73	16.7 / 79	17.9 / 112	19.9 / 109	26.4 / 134
ELECTRICAL DATA						
Voltage-Phase (60 Hz)	208/230-1	208/230-1	208/230-1	208/230-1	208/230-1	208/230-1
Indoor Blower FLA	1.5	1.86	1.86	2.87	2.87	5.8
Outdoor Fan RLA	1.1	1.1	1.5	1.4	1.4	1.4
Total Unit Amps	15.4	17.06	20.06	22.2	24.17	33.6
Min. Circuit Ampacity ¹	18.6	20.6	24.1	26.6	29.2	40.2
Max. Overcurrent Protection ²	30	30	40	40	45	60
SHIP WEIGHT (LBS)	325	325	385	385	415	415

¹ Wire size should be determined in accordance with National Electrical Codes. Extensive wire runs will require larger wire sizes.

² Must use time-delay fuses or HACR-type circuit breakers of the same size as noted.

Note: Always check the S&R plate for electrical data on the unit being installed.

EXPANDED COOLING DATA — GPH1324H41**

IDB	AIRFLOW	OUTDOOR AMBIENT TEMPERATURE												ENTERING INDOOR WET BULB TEMPERATURE											
		65°F				75°F				85°F				95°F				105°F				115°F			
		59	63	67	71	59	63	67	71	59	63	67	71	59	63	67	71	59	63	67	71	59	63	67	71
70	MBh	23.5	24.4	26.7	-	23.0	23.8	26.1	-	22.4	23.2	25.5	-	21.9	22.7	24.8	-	20.8	21.5	23.6	-	19.3	20.0	21.9	-
	S/T	0.80	0.67	0.46	-	0.83	0.69	0.48	-	0.85	0.71	0.49	-	0.88	0.73	0.51	-	0.91	0.76	0.53	-	0.92	0.77	0.53	-
	ΔT	18	15	12	-	18	15	12	-	18	16	12	-	18	16	12	-	18	15	12	-	17	14	11	-
	kW	1.71	1.74	1.80	-	1.83	1.87	1.93	-	1.95	1.99	2.05	-	2.05	2.09	2.16	-	2.13	2.18	2.25	-	2.20	2.25	2.32	-
	Amps	7.2	7.4	7.6	-	7.7	7.9	8.1	-	8.3	8.5	8.8	-	8.8	9.0	9.3	-	9.3	9.5	9.8	-	9.8	10.0	10.3	-
	Hi/PR	242	260	275	-	271	292	308	-	308	332	350	-	351	378	399	-	395	425	449	-	436	470	496	-
Lo/PR	112	119	130	-	118	126	137	-	123	131	143	-	129	137	150	-	135	144	157	-	140	149	163	-	
70	MBh	22.8	23.7	25.9	-	22.3	23.1	25.3	-	21.8	22.6	24.7	-	21.2	22.0	24.1	-	20.2	20.9	22.9	-	18.7	19.4	21.2	-
	S/T	0.76	0.64	0.44	-	0.79	0.66	0.46	-	0.81	0.68	0.47	-	0.84	0.70	0.49	-	0.87	0.73	0.50	-	0.88	0.73	0.51	-
	ΔT	18	16	12	-	19	16	12	-	19	16	12	-	19	16	12	-	18	16	12	-	17	15	11	-
	kW	1.69	1.73	1.78	-	1.82	1.86	1.92	-	1.93	1.97	2.03	-	2.03	2.07	2.14	-	2.11	2.16	2.23	-	2.18	2.23	2.31	-
	Amps	7.2	7.3	7.5	-	7.7	7.8	8.1	-	8.3	8.4	8.7	-	8.8	8.9	9.2	-	9.3	9.5	9.7	-	9.7	10.0	10.3	-
	Hi/PR	239	257	272	-	268	289	305	-	305	328	347	-	348	374	395	-	391	421	444	-	432	465	491	-
Lo/PR	111	118	129	-	117	125	136	-	122	130	141	-	128	136	149	-	134	143	156	-	139	148	161	-	
770	MBh	21.7	22.5	24.6	-	21.2	22.0	24.1	-	20.7	21.4	23.5	-	20.2	20.9	22.9	-	19.2	19.9	21.8	-	17.8	18.4	20.2	-
	S/T	0.73	0.61	0.42	-	0.76	0.63	0.44	-	0.78	0.65	0.45	-	0.80	0.67	0.46	-	0.83	0.70	0.48	-	0.84	0.70	0.49	-
	ΔT	19	16	12	-	19	17	13	-	19	17	13	-	19	17	13	-	19	17	13	-	18	15	12	-
	kW	1.67	1.70	1.75	-	1.79	1.83	1.89	-	1.90	1.94	2.00	-	2.00	2.04	2.10	-	2.08	2.12	2.19	-	2.15	2.20	2.27	-
	Amps	7.1	7.2	7.4	-	7.6	7.7	7.9	-	8.1	8.3	8.5	-	8.6	8.8	9.1	-	9.1	9.3	9.6	-	9.6	9.8	10.1	-
	Hi/PR	234	252	266	-	263	283	299	-	299	322	340	-	341	367	387	-	383	412	436	-	423	456	481	-
Lo/PR	109	116	126	-	115	122	133	-	119	127	139	-	125	133	146	-	131	140	153	-	136	145	158	-	

980	MBh	23.9	24.6	26.7	28.6	23.4	24.1	26.0	27.9	22.8	23.5	25.4	27.3	22.2	22.9	24.8	26.6	21.1	21.8	23.6	25.3	19.6	20.2	21.8	23.4
	S/T	0.91	0.81	0.62	0.40	0.94	0.84	0.64	0.41	0.97	0.87	0.66	0.42	1.00	0.89	0.68	0.44	1.00	0.93	0.70	0.45	1.00	0.94	0.71	0.46
	ΔT	20	19	15	11	21	19	16	11	21	19	16	11	21	19	16	11	21	20	16	11	20	18	14	10
	kW	1.72	1.76	1.81	1.87	1.85	1.89	1.95	2.01	1.96	2.00	2.07	2.13	2.06	2.11	2.17	2.25	2.15	2.19	2.27	2.34	2.22	2.27	2.34	2.42
	Amps	7.3	7.5	7.7	7.9	7.8	8.0	8.2	8.5	8.4	8.6	8.8	9.1	8.9	9.1	9.4	9.7	9.4	9.6	9.9	10.2	9.9	10.1	10.4	10.8
	Hi/PR	244	263	277	289	274	295	311	325	311	335	354	369	355	382	403	420	399	429	453	473	441	474	501	523
Lo/PR	113	120	131	140	120	127	139	148	124	132	144	154	131	139	152	161	137	146	159	169	142	151	164	175	
75	MBh	23.2	23.9	25.9	27.8	22.7	23.4	25.3	27.1	22.1	22.8	24.7	26.5	21.6	22.2	24.1	25.8	20.5	21.1	22.9	24.5	19.0	19.6	21.2	22.7
	S/T	0.87	0.78	0.59	0.38	0.90	0.81	0.61	0.39	0.92	0.83	0.63	0.40	0.95	0.85	0.65	0.42	0.99	0.88	0.67	0.43	1.00	0.89	0.68	0.43
	ΔT	21	20	16	11	21	20	16	11	21	20	16	11	22	20	16	11	21	20	16	11	20	18	15	10
	kW	1.71	1.74	1.80	1.85	1.83	1.87	1.93	1.99	1.95	1.99	2.05	2.12	2.05	2.09	2.16	2.23	2.13	2.18	2.25	2.32	2.20	2.25	2.32	2.40
	Amps	7.2	7.4	7.6	7.8	7.7	7.9	8.1	8.4	8.3	8.5	8.8	9.0	8.8	9.0	9.3	9.6	9.3	9.5	9.8	10.2	9.8	10.0	10.3	10.7
	Hi/PR	242	260	275	286	271	292	308	321	308	332	350	365	351	378	399	416	395	425	449	468	437	470	496	517
Lo/PR	112	119	130	139	118	126	138	146	123	131	143	152	129	138	150	160	135	144	157	168	140	149	163	173	
770	MBh	22.1	22.7	24.6	26.4	21.5	22.2	24.0	25.8	21.0	21.7	23.4	25.2	20.5	21.1	22.9	24.5	19.5	20.1	21.7	23.3	18.1	18.6	20.1	21.6
	S/T	0.83	0.74	0.56	0.36	0.86	0.77	0.58	0.38	0.88	0.79	0.60	0.39	0.91	0.82	0.62	0.40	0.95	0.85	0.64	0.41	0.96	0.85	0.65	0.42
	ΔT	22	20	17	11	22	20	17	12	22	20	17	12	22	21	17	12	22	20	17	11	21	19	16	11
	kW	1.68	1.72	1.77	1.82	1.81	1.84	1.90	1.96	1.92	1.96	2.02	2.08	2.01	2.06	2.12	2.19	2.10	2.14	2.21	2.28	2.17	2.21	2.29	2.36
	Amps	7.1	7.3	7.5	7.7	7.6	7.8	8.0	8.3	8.2	8.4	8.6	8.9	8.7	8.9	9.1	9.4	9.2	9.4	9.7	10.0	9.7	9.9	10.2	10.5
	Hi/PR	237	255	269	281	266	286	302	315	302	325	343	358	344	370	391	408	387	417	440	459	428	460	486	507
Lo/PR	110	117	128	136	116	123	135	144	121	128	140	149	127	135	147	157	133	141	154	164	137	146	159	170	

IDB: Entering Indoor Dry Bulb Temperature
 High and low pressures are measured at the liquid and suction service valves.
 Shaded area reflects ACCA (TVA) conditions
 kW = Total system power
 Amps = outdoor unit amps (comp.+fan)

EXPANDED COOLING DATA — GPH1324H41** (CONT.)

IDB	AIRFLOW	OUTDOOR AMBIENT TEMPERATURE												ENTERING INDOOR WET BULB TEMPERATURE											
		65°F				75°F				85°F				95°F				105°F				115°F			
		59	63	67	71	59	63	67	71	59	63	67	71	59	63	67	71	59	63	67	71	59	63	67	71
980	MBh	24.3	24.9	26.6	28.4	23.8	24.3	26.0	27.7	23.2	23.7	25.3	27.1	22.6	23.1	24.7	26.4	21.5	22.0	23.5	25.1	19.9	20.4	21.8	23.3
	S/T	1.00	0.94	0.76	0.57	1.00	1.00	0.79	0.59	1.00	1.00	0.81	0.61	1.00	1.00	0.84	0.63	1.00	1.00	0.87	0.65	1.00	1.00	0.88	0.65
	ΔT	23	22	19	15	22	23	19	15	22	22	19	15	21	22	19	16	20	21	19	15	19	19	18	14
	kW	1.73	1.77	1.82	1.88	1.86	1.90	1.96	2.03	1.98	2.02	2.08	2.15	2.08	2.12	2.19	2.26	2.17	2.21	2.28	2.36	2.24	2.29	2.36	2.44
	Amps	7.4	7.5	7.7	8.0	7.9	8.0	8.3	8.5	8.5	8.6	8.9	9.2	9.0	9.2	9.4	9.8	9.5	9.7	10.0	10.3	10.0	10.2	10.5	10.9
80	Hi PR	246	265	280	292	277	298	314	328	315	339	357	373	358	386	407	425	403	434	458	478	445	479	506	528
	Lo PR	114	122	133	141	121	129	140	149	126	134	146	155	132	140	153	163	138	147	161	171	143	152	166	177
	MBh	23.6	24.1	25.8	27.6	23.1	23.6	25.2	26.9	22.5	23.0	24.6	26.3	22.0	22.5	24.1	25.7	20.9	21.3	22.8	24.4	19.3	19.8	21.1	22.6
	S/T	0.95	0.89	0.73	0.54	0.99	0.93	0.75	0.56	1.00	0.95	0.77	0.58	1.00	0.98	0.80	0.60	1.00	1.00	0.83	0.62	1.00	1.00	0.84	0.62
	ΔT	24	23	20	16	24	23	20	16	24	23	20	16	23	23	20	16	22	22	20	16	20	21	19	15
770	kW	1.72	1.76	1.81	1.87	1.85	1.89	1.95	2.01	1.96	2.00	2.07	2.14	2.06	2.11	2.18	2.25	2.15	2.19	2.27	2.34	2.22	2.27	2.34	2.42
	Amps	7.3	7.5	7.7	7.9	7.8	8.0	8.2	8.5	8.4	8.6	8.8	9.1	8.9	9.1	9.4	9.7	9.4	9.6	9.9	10.2	9.9	10.1	10.4	10.8
	Hi PR	244	263	277	289	274	295	311	325	311	335	354	369	355	382	403	420	399	429	453	473	441	474	501	523
	Lo PR	113	120	131	140	120	127	139	148	124	132	144	154	131	139	152	162	137	146	159	169	142	151	164	175
	MBh	22.5	22.9	24.5	26.2	21.9	22.4	23.9	25.6	21.4	21.9	23.4	25.0	20.9	21.3	22.8	24.4	19.8	20.3	21.7	23.2	18.4	18.8	20.1	21.4

IDB	AIRFLOW	OUTDOOR AMBIENT TEMPERATURE												ENTERING INDOOR WET BULB TEMPERATURE											
		65°F				75°F				85°F				95°F				105°F				115°F			
		59	63	67	71	59	63	67	71	59	63	67	71	59	63	67	71	59	63	67	71	59	63	67	71
980	MBh	24.8	25.2	26.4	28.2	24.2	24.7	25.8	27.6	23.6	24.1	25.2	26.9	23.0	23.5	24.6	26.2	21.9	22.3	23.4	24.9	20.3	20.7	21.6	23.1
	S/T	1.00	1.00	0.91	0.74	1.00	1.00	0.95	0.77	1.00	1.00	0.97	0.79	1.00	1.00	0.81	0.81	1.00	1.00	0.84	0.84	1.00	1.00	0.81	0.85
	ΔT	23	24	23	20	23	23	23	20	22	23	23	20	22	22	23	20	21	21	22	20	19	19	20	18
	kW	1.75	1.78	1.84	1.90	1.88	1.92	1.98	2.04	1.99	2.04	2.10	2.17	2.10	2.14	2.21	2.28	2.18	2.23	2.30	2.38	2.26	2.31	2.38	2.46
	Amps	7.4	7.6	7.8	8.0	7.9	8.1	8.3	8.6	8.5	8.7	9.0	9.3	9.0	9.2	9.5	9.8	9.6	9.8	10.1	10.4	10.1	10.3	10.6	11.0
85	Hi PR	249	268	283	295	279	301	317	331	318	342	361	377	362	389	411	429	407	438	463	482	450	484	511	533
	Lo PR	115	123	134	143	122	130	142	151	127	135	147	157	133	142	155	165	140	149	162	173	144	154	168	179
	MBh	24.0	24.5	25.7	27.4	23.5	23.9	25.1	26.8	22.9	23.4	24.5	26.1	22.4	22.8	23.9	25.5	21.2	21.7	22.7	24.2	19.7	20.1	21.0	22.4
	S/T	1.00	0.96	0.87	0.71	1.00	1.00	0.90	0.73	1.00	1.00	0.92	0.75	1.00	1.00	0.95	0.77	1.00	1.00	0.99	0.80	1.00	1.00	0.81	0.81
	ΔT	25	25	23	20	25	25	24	21	24	25	24	21	24	24	24	21	22	23	24	20	21	21	22	19
770	kW	1.73	1.77	1.82	1.88	1.86	1.90	1.96	2.03	1.98	2.02	2.08	2.15	2.08	2.12	2.19	2.26	2.17	2.21	2.28	2.36	2.24	2.29	2.36	2.44
	Amps	7.4	7.5	7.7	8.0	7.9	8.0	8.3	8.5	8.5	8.6	8.9	9.2	9.0	9.2	9.4	9.8	9.5	9.7	10.0	10.3	10.0	10.2	10.5	10.9
	Hi PR	246	265	280	292	277	298	314	328	315	339	357	373	358	386	407	425	403	434	458	478	445	479	506	528
	Lo PR	114	122	133	141	121	129	140	149	126	134	146	155	132	140	153	163	138	147	161	171	143	152	166	177
	MBh	22.8	23.3	24.4	26.0	22.3	22.7	23.8	25.4	21.8	22.2	23.3	24.8	21.2	21.7	22.7	24.2	20.2	20.6	21.6	23.0	18.7	19.1	20.0	21.3

IDB: Entering Indoor Dry Bulb Temperature
High and low pressures are measured at the liquid and suction service valves.
kW = Total system power
Amps = outdoor unit amps (comp. + fan)
Shaded area reflects AHRI conditions

EXPANDED COOLING DATA — GPH1330H41**

IDB	AIRFLOW	OUTDOOR AMBIENT TEMPERATURE												ENTERING INDOOR WET BULB TEMPERATURE													
		65°F				75°F				85°F				95°F				105°F				115°F					
		59	63	67	71	59	63	67	71	59	63	67	71	59	63	67	71	59	63	67	71	59	63	67	71		
70	1180	MBh	27.6	28.6	31.4	-	27.0	28.0	30.7	-	26.3	27.3	29.9	-	25.7	26.6	29.2	-	24.4	25.3	27.7	-	22.6	23.4	25.7	-	
		S/T	0.80	0.67	0.46	-	0.83	0.69	0.48	-	0.85	0.71	0.49	-	0.87	0.73	0.51	-	0.91	0.76	0.52	-	0.91	0.76	0.53	-	
		ΔT	17	15	11	-	17	15	11	-	17	15	11	-	18	15	11	-	17	15	11	-	16	14	11	-	
		kW	2.03	2.07	2.13	-	2.18	2.22	2.29	-	2.31	2.36	2.43	-	2.43	2.48	2.56	-	2.53	2.58	2.66	-	2.61	2.67	2.75	-	
		Amps	8.7	8.8	9.1	-	9.3	9.4	9.7	-	9.9	10.1	10.4	-	10.5	10.8	11.1	-	11.1	11.4	11.7	-	11.7	12.0	12.3	-	
		Hi PR	247	265	280	-	277	298	314	-	315	339	358	-	358	386	407	-	403	434	458	-	446	479	506	-	
	Lo PR	112	119	130	-	118	126	137	-	123	131	143	-	129	137	150	-	135	144	157	-	140	149	162	-		
	MBh	26.8	27.8	30.5	-	26.2	27.2	29.8	-	25.6	26.5	29.0	-	25.0	25.9	28.3	-	23.7	24.6	26.9	-	22.0	22.8	24.9	-		
	S/T	0.76	0.63	0.44	-	0.79	0.66	0.46	-	0.81	0.67	0.47	-	0.83	0.70	0.48	-	0.87	0.72	0.50	-	0.87	0.73	0.50	-		
	ΔT	18	15	12	-	18	16	12	-	18	16	12	-	18	16	12	-	18	16	12	-	17	15	11	-		
	kW	2.01	2.05	2.12	-	2.16	2.21	2.27	-	2.29	2.34	2.41	-	2.41	2.46	2.54	-	2.51	2.56	2.64	-	2.59	2.65	2.73	-		
	Amps	8.6	8.8	9.0	-	9.2	9.4	9.6	-	9.9	10.1	10.4	-	10.4	10.7	11.0	-	11.0	11.3	11.6	-	11.6	11.9	12.2	-		
Hi PR	244	263	277	-	274	295	311	-	312	335	354	-	355	382	403	-	399	430	454	-	441	475	501	-			
Lo PR	111	118	129	-	117	124	136	-	121	129	141	-	128	136	148	-	134	142	155	-	138	147	161	-			
MBh	24.8	25.7	28.1	-	24.2	25.1	27.5	-	23.6	24.5	26.8	-	23.0	23.9	26.2	-	21.9	22.7	24.9	-	20.3	21.0	23.0	-			
S/T	0.73	0.61	0.42	-	0.76	0.63	0.44	-	0.78	0.65	0.45	-	0.80	0.67	0.47	-	0.83	0.70	0.48	-	0.84	0.70	0.49	-			
ΔT	18	16	12	-	18	16	12	-	18	16	12	-	18	16	12	-	18	16	12	-	17	15	11	-			
kW	1.97	2.01	2.07	-	2.11	2.15	2.22	-	2.24	2.28	2.36	-	2.35	2.40	2.48	-	2.45	2.50	2.58	-	2.53	2.58	2.66	-			
Amps	8.4	8.6	8.8	-	9.0	9.1	9.4	-	9.6	9.8	10.1	-	10.2	10.4	10.7	-	10.8	11.0	11.3	-	11.3	11.6	11.9	-			
Hi PR	237	255	269	-	266	286	302	-	302	325	343	-	344	370	391	-	387	417	440	-	428	460	486	-			
Lo PR	107	114	125	-	113	121	132	-	118	125	137	-	124	132	144	-	130	138	151	-	134	143	156	-			
75	1180	MBh	28.1	28.9	31.3	33.6	27.4	28.3	30.6	32.8	26.8	27.6	29.9	32.0	26.1	26.9	29.1	31.3	24.8	25.6	27.7	29.7	23.0	23.7	25.6	27.5	
		S/T	0.91	0.81	0.61	0.39	0.94	0.84	0.64	0.41	0.96	0.86	0.65	0.42	0.99	0.89	0.67	0.43	1.00	0.92	0.70	0.45	1.00	0.93	0.70	0.45	
		ΔT	20	18	15	10	20	18	15	10	20	19	15	10	20	19	15	11	11	19	18	15	10	18	17	14	10
		kW	2.04	2.09	2.15	2.22	2.20	2.24	2.31	2.38	2.33	2.38	2.45	2.53	2.45	2.50	2.58	2.66	2.66	2.55	2.60	2.69	2.77	2.63	2.69	2.78	2.87
		Amps	8.7	8.9	9.1	9.4	9.3	9.5	9.8	10.1	10.0	10.2	10.5	10.9	10.6	10.8	11.2	11.5	11.5	11.2	11.5	11.8	12.2	11.8	12.1	12.4	12.9
		Hi PR	249	268	283	295	280	301	318	331	318	342	361	377	362	390	411	429	429	407	438	463	483	450	484	511	533
	Lo PR	113	120	131	140	119	127	139	148	124	132	144	153	130	139	151	161	161	136	145	158	169	141	150	164	175	
	MBh	27.3	28.1	30.4	32.6	26.6	27.4	29.7	31.9	26.0	26.8	29.0	31.1	25.4	26.13	28.3	30.4	24.1	24.8	26.9	28.8	22.3	23.0	24.9	26.7		
	S/T	0.86	0.77	0.58	0.38	0.90	0.80	0.61	0.39	0.92	0.82	0.62	0.40	0.95	0.85	0.64	0.41	0.98	0.88	0.67	0.43	0.99	0.89	0.67	0.43		
	ΔT	21	19	16	11	21	19	16	11	21	19	16	11	21	19.39	16	11	11	21	19	16	11	19	18	15	10	
	kW	2.03	2.07	2.13	2.20	2.18	2.22	2.29	2.36	2.31	2.36	2.43	2.51	2.43	2.48	2.56	2.64	2.64	2.53	2.58	2.66	2.75	2.61	2.67	2.76	2.85	
	Amps	8.7	8.8	9.1	9.4	9.3	9.4	9.7	10.0	9.9	10.1	10.4	10.8	10.5	10.76	11.1	11.4	11.4	11.1	11.4	11.7	12.1	11.7	12.0	12.3	12.7	
Hi PR	247	265	280	292	277	298	315	328	315	339	358	373	358	385	407	425	425	403	434	458	478	446	480	506	528		
Lo PR	112	119	130	138	118	126	137	146	123	131	143	152	129	137	150	159	159	135	144	157	167	140	149	162	173		
MBh	25.2	25.9	28.1	30.1	24.6	25.3	27.4	29.4	24.0	24.7	26.8	28.7	23.4	24.1	26.1	28.0	20.6	21.2	23.0	24.7	20.6	21.2	23.0	24.7			
S/T	0.83	0.74	0.56	0.36	0.86	0.77	0.58	0.38	0.89	0.79	0.60	0.39	0.91	0.82	0.62	0.40	0.95	0.85	0.64	0.41	0.96	0.86	0.65	0.42			
ΔT	21	19	16	11	21	20	16	11	21	20	16	11	21	20	16	11	11	21	19	16	11	20	18	15	10		
kW	1.98	2.02	2.08	2.15	2.13	2.17	2.24	2.31	2.26	2.30	2.37	2.45	2.37	2.42	2.50	2.58	2.58	2.47	2.52	2.60	2.68	2.55	2.60	2.69	2.78		
Amps	8.5	8.6	8.9	9.1	9.0	9.2	9.5	9.8	9.7	9.9	10.2	10.5	10.3	10.5	10.8	11.2	11.2	10.9	11.1	11.4	11.8	11.4	11.7	12.0	12.4		
Hi PR	239	257	272	284	268	289	305	318	305	329	347	362	348	374	395	412	412	391	421	445	464	432	465	491	512		
Lo PR	108	115	126	134	115	122	133	142	119	127	138	147	125	133	145	155	155	131	139	152	162	136	144	157	168		

IDB: Entering Indoor Dry Bulb Temperature
 High and low pressures are measured at the liquid and suction service valves.

Shaded area reflects ACCA (TVA) conditions

kW = Total system power
 Amps = outdoor unit amps (comp.+fan)

EXPANDED COOLING DATA — GPH1330H41 (CONT.)**

IDB	AIRFLOW	OUTDOOR AMBIENT TEMPERATURE																													
		65°F					75°F					85°F					95°F					105°F					115°F				
		59	63	67	71	75	59	63	67	71	75	59	63	67	71	75	59	63	67	71	75	59	63	67	71	75	59	63	67	71	75
1180	MBh	28.6	29.2	31.2	33.4	32.6	27.3	27.9	29.8	31.8	26.6	27.2	29.0	31.1	25.3	25.8	27.6	29.5	23.4	23.9	25.6	27.3									
	S/T	1.00	0.93	0.76	0.57	0.59	1.00	1.00	0.81	0.60	1.00	1.00	0.83	0.62	1.00	1.00	0.86	0.65	1.00	1.00	0.87	0.65									
	ΔT	22	21	18	15	15	21	22	19	15	21	21	19	15	20	20	19	15	18	19	17	14									
	kW	2.06	2.10	2.17	2.23	2.40	2.35	2.40	2.47	2.55	2.47	2.52	2.60	2.68	2.57	2.62	2.71	2.80	2.66	2.71	2.80	2.89									
	Amps	8.8	9.0	9.2	9.5	9.4	9.6	9.9	10.2	10.1	10.3	10.6	11.0	11.6	11.3	11.6	11.9	12.3	11.9	12.2	12.5	13.0									
80	Hi PR	252	271	286	298	321	321	346	365	381	366	394	416	433	411	443	468	488	455	489	517	539									
	Lo PR	114	121	132	141	120	128	140	149	125	133	145	155	163	138	147	160	171	143	152	166	176									
	MBh	27.8	28.4	30.3	32.4	31.7	26.5	27.1	28.9	30.9	25.8	26.4	28.2	30.1	24.5	25.1	26.8	28.6	22.7	23.2	24.8	26.5									
	S/T	0.95	0.89	0.72	0.54	0.56	1.00	0.94	0.77	0.57	1.00	0.97	0.79	0.59	1.00	1.00	0.82	0.62	1.00	1.00	0.83	0.62									
	ΔT	23	22	19	15	16	23	22	19	16	23	23	20	16	24	23	20	15	20	20	18	14									
1050	kW	2.04	2.09	2.15	2.22	2.20	2.24	2.31	2.38	2.33	2.38	2.45	2.53	2.66	2.55	2.60	2.69	2.77	2.63	2.69	2.78	2.87									
	Amps	8.7	8.9	9.2	9.4	9.3	9.5	9.8	10.1	10.0	10.2	10.5	10.9	11.5	11.2	11.5	11.8	12.2	11.8	12.1	12.4	12.9									
	Hi PR	249	268	283	295	318	318	342	361	377	362	390	412	429	407	438	463	483	450	484	511	533									
	Lo PR	113	120	131	140	119	127	139	148	124	132	144	153	161	136	145	159	169	141	150	164	175									
	MBh	25.6	26.2	28.0	29.9	29.2	24.4	25.0	26.7	28.5	23.8	24.4	26.0	27.8	22.7	23.1	24.7	26.4	21.0	21.4	22.9	24.5									
920	S/T	0.91	0.86	0.70	0.52	0.54	0.97	0.91	0.74	0.55	1.00	0.94	0.76	0.57	1.04	0.98	0.79	0.59	1.05	0.98	0.80	0.60									
	ΔT	23	22	19	16	16	24	23	20	16	24	23	20	16	24	23	20	16	22	21	18	15									
	kW	2.00	2.04	2.10	2.16	2.14	2.19	2.26	2.33	2.27	2.32	2.39	2.47	2.60	2.49	2.54	2.62	2.71	2.57	2.62	2.71	2.80									
	Amps	8.5	8.7	8.9	9.2	9.1	9.3	9.6	9.9	9.8	10.0	10.3	10.6	11.3	10.9	11.2	11.5	11.9	11.5	11.8	12.1	12.5									
	Hi PR	242	260	275	286	321	308	332	350	366	351	378	399	416	395	425	449	468	437	470	496	517									
Lo PR	110	117	127	135	116	123	134	143	120	128	140	149	156	132	141	154	164	137	146	159	169										

1180	MBh	29.1	29.7	31.1	33.1	32.4	27.7	28.3	29.6	31.6	27.1	27.6	28.9	30.8	25.7	26.2	27.5	29.3	23.8	24.3	25.4	27.1
	S/T	1.00	1.00	0.91	0.74	0.76	1.00	1.00	0.96	0.78	1.00	1.00	0.99	0.81	1.00	1.00	0.98	0.80	1.00	1.00	0.99	0.81
	ΔT	23	23	22	19	19	22	22	19	15	21	21	19	15	20	20	19	15	19	19	19	18
	kW	2.08	2.12	2.18	2.25	2.42	2.37	2.42	2.49	2.57	2.49	2.54	2.62	2.71	2.59	2.64	2.73	2.82	2.68	2.74	2.82	2.92
	Amps	8.9	9.0	9.3	9.6	9.9	10.2	10.4	10.7	11.1	10.8	11.0	11.3	11.7	11.4	11.7	12.0	12.4	12.0	12.3	12.6	13.1
1050	Hi PR	254	273	289	301	338	324	349	369	384	369	398	420	438	416	447	472	493	459	494	522	544
	Lo PR	115	123	134	142	122	129	141	151	126	135	147	156	164	139	148	162	172	144	153	167	178
	MBh	28.3	28.8	30.2	32.2	31.4	26.9	27.5	28.8	30.7	26.3	26.8	28.1	29.9	25.0	25.5	26.7	28.4	23.1	23.6	24.7	26.3
	S/T	0.99	0.96	0.86	0.70	0.73	1.00	1.00	0.92	0.75	1.00	1.00	0.95	0.77	1.00	1.00	0.98	0.80	1.00	1.00	0.99	0.81
	ΔT	25	24	23	20	20	24	24	23	20	23	23	20	20	22	22	23	20	20	21	21	19
920	kW	2.06	2.10	2.17	2.23	2.40	2.35	2.40	2.47	2.55	2.47	2.52	2.60	2.68	2.57	2.62	2.71	2.80	2.66	2.71	2.80	2.89
	Amps	8.8	9.0	9.2	9.5	9.4	9.6	9.9	10.2	10.1	10.3	10.6	11.0	11.6	11.3	11.6	11.9	12.3	11.9	12.2	12.5	13.0
	Hi PR	252	271	286	298	321	321	346	365	381	366	394	416	433	411	443	468	488	455	489	517	539
	Lo PR	114	121	132	141	120	128	140	149	125	133	145	155	163	138	147	160	171	143	152	166	176
	MBh	26.1	26.6	27.8	29.7	29.0	24.9	25.3	26.5	28.3	24.3	24.7	25.9	27.6	23.0	23.5	24.6	26.2	21.3	21.8	22.8	24.3
85	S/T	0.96	0.92	0.83	0.68	0.70	1.00	0.98	0.89	0.72	1.00	1.00	0.91	0.74	1.00	1.00	0.95	0.77	1.00	1.00	0.96	0.78
	ΔT	25	25	23	20	20	25	25	23	20	24	25	24	20	23	23	20	20	21	22	22	19
	kW	2.01	2.05	2.12	2.18	2.35	2.29	2.34	2.41	2.49	2.41	2.46	2.54	2.62	2.51	2.56	2.64	2.73	2.59	2.65	2.73	2.82
	Amps	8.6	8.8	9.0	9.3	9.2	9.4	9.6	9.9	10.1	10.4	10.7	11.0	11.3	11.0	11.3	11.6	12.0	11.6	11.9	12.2	12.6
	Hi PR	244	263	277	289	325	311	335	354	369	355	382	403	420	399	430	454	473	441	475	501	523
Lo PR	111	118	128	137	117	124	136	145	121	129	141	150	158	134	142	155	165	138	147	161	171	

kW = Total system power
Amps = outdoor unit amps (comp. + fan)

Shaded area reflects AHRI conditions

IDB: Entering Indoor Dry Bulb Temperature
High and low pressures are measured at the liquid and suction service valves.

EXPANDED COOLING DATA — GPH1336H41**

IDB	AIRFLOW	OUTDOOR AMBIENT TEMPERATURE																									
		65°F				75°F				85°F				95°F				105°F				115°F					
		59	63	67	71	59	63	67	71	59	63	67	71	59	63	67	71	59	63	67	71	59	63	67	71		
70	1350	MBh	34.3	35.5	38.9	-	32.7	33.9	37.1	-	31.9	33.1	36.2	-	30.3	31.4	34.4	-	28.1	29.1	31.9	-	28.1	29.1	31.9	-	
		S/T	0.76	0.63	0.44	-	0.81	0.67	0.47	-	0.83	0.69	0.48	-	0.86	0.72	0.50	-	0.87	0.73	0.50	-	0.87	0.73	0.50	-	
		ΔT	18	15	12	-	18	16	12	-	18	16	12	-	18	15	12	-	17	14	11	-	17	14	11	-	
	1200	kW	2.61	2.66	2.74	-	2.80	2.85	2.94	-	2.96	3.02	3.12	-	3.11	3.18	3.27	-	3.23	3.30	3.41	-	3.34	3.41	3.52	-	
		Amps	11.1	11.3	11.6	-	11.8	12.1	12.4	-	12.7	13.0	13.3	-	13.4	13.7	14.1	-	14.2	14.5	14.9	-	14.9	15.2	15.7	-	
		Hi PR	247	266	281	-	277	298	315	-	315	339	358	-	359	387	408	-	404	435	459	-	446	480	507	-	
	1050	Lo PR	110	117	128	-	116	124	135	-	121	129	140	-	127	135	148	-	133	142	155	-	138	146	160	-	
		MBh	33.3	34.5	37.8	-	32.5	33.7	36.9	-	31.7	32.9	36.1	-	31.0	32.1	35.2	-	29.4	30.5	33.4	-	27.3	28.3	31.0	-	
		S/T	0.72	0.60	0.42	-	0.75	0.63	0.43	-	0.77	0.64	0.44	-	0.79	0.66	0.46	-	0.82	0.69	0.48	-	0.83	0.69	0.48	-	
	75	1350	ΔT	18	16	12	-	19	16	12	-	19	16	12	-	19	16	12	-	19	16	12	-	17	15	11	-
			kW	2.59	2.64	2.72	-	2.78	2.83	2.92	-	2.94	3.00	3.09	-	3.09	3.15	3.25	-	3.21	3.28	3.38	-	3.32	3.39	3.49	-
			Amps	11.0	11.2	11.5	-	11.8	12.0	12.3	-	12.6	12.9	13.2	-	13.3	13.6	14.0	-	14.1	14.4	14.8	-	14.8	15.1	15.6	-
1200		Hi PR	245	263	278	-	275	295	312	-	312	336	355	-	356	383	404	-	400	431	455	-	442	476	502	-	
		Lo PR	109	116	127	-	115	123	134	-	120	127	139	-	126	134	146	-	132	140	153	-	136	145	158	-	
		MBh	30.7	31.9	34.9	-	30.0	31.1	34.1	-	29.3	30.4	33.3	-	28.6	29.6	32.5	-	27.2	28.2	30.8	-	25.2	26.1	28.6	-	
1050		S/T	0.70	0.58	0.40	-	0.72	0.60	0.42	-	0.74	0.62	0.43	-	0.76	0.64	0.44	-	0.79	0.66	0.46	-	0.80	0.67	0.46	-	
		ΔT	19	16	12	-	19	16	12	-	19	16	12	-	19	17	13	-	19	16	12	-	18	15	12	-	
		kW	2.53	2.58	2.66	-	2.71	2.77	2.85	-	2.87	2.93	3.02	-	3.01	3.08	3.17	-	3.13	3.20	3.30	-	3.24	3.30	3.41	-	
75		1350	Amps	10.8	11.0	11.3	-	11.5	11.7	12.0	-	12.3	12.6	12.9	-	13.0	13.3	13.7	-	13.7	14.0	14.4	-	14.4	14.8	15.2	-
			Hi PR	237	255	270	-	266	287	303	-	303	326	344	-	345	371	392	-	388	418	441	-	429	461	487	-
			Lo PR	106	113	123	-	112	119	130	-	116	124	135	-	122	130	142	-	128	136	148	-	132	141	154	-
	1200	MBh	34.9	35.9	38.9	41.7	34.1	35.1	38.0	40.7	33.3	34.2	37.1	39.8	32.4	33.4	36.2	38.8	30.8	31.7	34.4	36.9	28.6	29.4	31.8	34.2	
		S/T	0.86	0.77	0.58	0.38	0.89	0.80	0.60	0.39	0.92	0.82	0.62	0.40	0.94	0.85	0.64	0.41	0.98	0.88	0.66	0.43	0.98	0.88	0.67	0.43	
		ΔT	20	19	15	11	21	19	16	11	21	19	16	11	21	19	16	11	21	19	16	11	21	19	16	11	
	1050	kW	2.63	2.68	2.76	2.84	2.82	2.88	2.96	3.06	2.99	3.05	3.14	3.24	3.13	3.20	3.30	3.41	3.26	3.33	3.44	3.55	3.37	3.44	3.55	3.67	
		Amps	11.2	11.4	11.7	12.1	11.9	12.2	12.5	12.9	12.8	13.1	13.4	13.9	13.6	13.8	14.2	14.7	14.3	14.6	15.0	15.5	15.0	15.4	15.8	16.4	
		Hi PR	250	269	284	296	280	301	318	332	319	343	362	378	363	391	412	430	408	439	464	484	451	485	513	535	
	75	1350	Lo PR	111	118	129	138	118	125	137	145	122	130	142	151	128	137	149	159	134	143	156	166	139	148	162	172
			MBh	33.9	34.9	37.7	40.5	33.1	34.1	36.9	39.6	32.3	33.2	36.0	38.6	31.5	32.4	35.1	37.7	29.9	30.8	33.3	35.8	27.7	28.5	30.9	33.2
			S/T	0.82	0.73	0.56	0.36	0.85	0.76	0.58	0.37	0.87	0.78	0.59	0.38	0.90	0.81	0.61	0.39	0.94	0.84	0.63	0.41	0.94	0.84	0.64	0.41
1200		ΔT	21	20	16	11	22	20	16	11	22	20	16	11	22	20	16	11	21	20	16	11	20	18	15	10	
		kW	2.61	2.66	2.74	2.82	2.80	2.85	2.94	3.03	2.96	3.02	3.12	3.22	3.11	3.18	3.27	3.38	3.23	3.30	3.41	3.52	3.34	3.41	3.52	3.64	
		Amps	11.1	11.3	11.6	12.0	11.8	12.1	12.4	12.8	12.7	13.0	13.3	13.8	13.4	13.7	14.1	14.6	14.2	14.5	14.9	15.4	14.9	15.2	15.7	16.2	
1050		Hi PR	247	266	281	293	277	298	315	329	315	339	358	374	359	387	408	426	404	435	459	479	447	481	507	529	
		Lo PR	110	117	128	136	116	124	135	144	121	129	140	150	127	135	148	157	133	142	155	165	138	147	160	170	
		MBh	31.3	32.2	34.8	37.4	30.5	31.4	34.0	36.5	29.8	30.7	33.2	35.6	29.1	29.9	32.4	34.8	27.6	28.4	30.8	33.0	25.6	26.3	28.5	30.6	
75		1350	S/T	0.79	0.71	0.54	0.34	0.82	0.73	0.56	0.36	0.84	0.75	0.57	0.37	0.87	0.78	0.59	0.38	0.90	0.81	0.61	0.39	0.91	0.81	0.62	0.40
			ΔT	22	20	16	11	22	20	17	11	22	20	17	11	22	20	17	12	22	20	16	11	20	19	15	11
			kW	2.55	2.60	2.68	2.76	2.73	2.79	2.87	2.96	2.89	2.95	3.04	3.14	3.04	3.10	3.20	3.30	3.16	3.22	3.33	3.43	3.26	3.33	3.44	3.55
	1200	Amps	10.9	11.1	11.4	11.7	11.6	11.8	12.1	12.5	12.4	12.7	13.0	13.4	13.1	13.4	13.8	14.2	13.9	14.1	14.6	15.0	14.6	14.9	15.3	15.8	
		Hi PR	240	258	272	284	269	290	306	319	306	329	348	363	349	375	396	413	392	422	446	465	433	466	492	513	
		Lo PR	107	114	124	132	113	120	131	140	117	125	136	145	123	131	143	152	129	137	150	160	134	142	155	165	

IDB: Entering Indoor Dry Bulb Temperature
 High and low pressures are measured at the liquid and suction service valves.
 Shaded area reflects ACCA (TVA) conditions
 kW = Total system power
 Amps = outdoor unit amps (comp.-fan)

EXPANDED COOLING DATA — GPH1336H41** (CONT.)

IDB	AIRFLOW	OUTDOOR AMBIENT TEMPERATURE																									
		65°F					75°F					85°F															
		59	63	67	71	75	59	63	67	71	75	59	63	67	71	75											
80	1350	MBh	35.5	36.3	38.8	41.4	34.7	35.4	37.9	40.5	33.8	34.6	37.0	39.5	33.0	33.7	36.1	38.5	31.4	32.1	34.2	36.6	29.1	29.7	31.7	33.9	
		S/T	0.94	0.89	0.72	0.54	1.00	0.92	0.75	0.56	1.00	0.94	0.77	0.57	1.00	1.00	0.79	0.59	1.00	1.00	0.82	0.61	1.00	1.00	0.83	0.62	
		ΔT	23	22	19	15	24	22	19	15	22	23	22	19	15	22	23	19	16	21	22	19	15	20	20	18	14
		kW	2.65	2.70	2.78	2.87	2.84	2.90	2.99	3.08	3.01	3.07	3.17	3.27	3.16	3.23	3.33	3.43	3.29	3.29	3.36	3.46	3.57	3.40	3.47	3.58	3.70
		Amps	11.3	11.5	11.8	12.2	12.0	12.3	12.6	13.0	12.9	13.2	13.5	14.0	13.7	14.0	14.4	14.8	14.4	14.4	14.7	15.2	15.7	15.2	15.5	16.0	16.5
		Hi PR	252	271	287	299	283	305	322	335	322	346	366	381	367	394	417	434	412	444	444	469	489	456	490	518	540
	Lo PR	112	120	131	139	119	126	138	147	123	131	143	153	130	138	151	160	136	145	158	168	141	149	163	174		
	MBh	34.5	35.2	37.6	40.2	33.7	34.4	36.8	39.3	32.9	33.6	35.9	38.4	32.1	32.8	35.0	37.4	30.5	31.1	33.3	35.5	28.2	28.8	30.8	32.9		
	S/T	0.90	0.84	0.69	0.51	0.93	0.88	0.71	0.53	0.96	0.90	0.73	0.55	0.99	0.93	0.75	0.56	1.00	0.96	0.78	0.59	1.00	0.97	0.79	0.59		
	ΔT	24	23	20	16	24	23	20	16	24	23	20	16	24	23	20	16	23	23	23	20	16	22	21	19	15	
	kW	2.63	2.68	2.76	2.84	2.82	2.88	2.96	3.06	2.99	3.05	3.14	3.24	3.13	3.20	3.30	3.41	3.26	3.33	3.44	3.55	3.37	3.44	3.55	3.67		
	Amps	11.2	11.4	11.7	12.1	11.9	12.2	12.5	12.9	12.8	13.1	13.4	13.9	13.6	13.8	14.2	14.7	14.3	14.6	15.0	15.5	15.0	15.4	15.8	16.4		
Hi PR	250	269	284	296	280	301	318	332	319	343	362	378	363	391	412	430	408	439	464	484	451	485	513	535			
Lo PR	111	118	129	138	118	125	137	145	122	130	142	151	128	137	149	159	134	143	156	166	139	148	162	172			
MBh	31.8	32.5	34.7	37.1	31.1	31.7	33.9	36.3	30.3	31.0	33.1	35.4	29.6	30.2	32.3	34.5	28.1	28.7	30.7	32.8	26.0	26.6	28.4	30.4			
S/T	0.87	0.81	0.66	0.50	0.90	0.84	0.69	0.51	0.92	0.87	0.70	0.53	0.95	0.89	0.73	0.54	0.99	0.93	0.75	0.56	1.00	0.94	0.76	0.57			
ΔT	24	23	20	16	24	23	20	16	25	23	20	16	25	24	21	16	24	23	20	16	23	22	19	15			
kW	2.57	2.62	2.70	2.78	2.75	2.81	2.89	2.98	2.92	2.98	3.07	3.16	3.06	3.12	3.22	3.32	3.18	3.25	3.35	3.46	3.29	3.36	3.46	3.58			
Amps	10.9	11.2	11.5	11.8	11.7	11.9	12.2	12.6	12.5	12.8	13.1	13.5	13.2	13.5	13.9	14.4	14.0	14.3	14.7	15.2	14.7	15.0	15.4	16.0			
Hi PR	242	261	275	287	272	292	309	322	309	333	351	366	352	379	400	417	396	426	450	469	438	471	497	519			
Lo PR	108	115	125	133	114	121	132	141	119	126	138	147	124	132	145	154	130	139	152	161	135	144	157	167			
85	1350	MBh	36.1	36.8	38.6	41.1	35.3	36.0	37.7	40.2	34.4	35.1	36.8	39.2	33.6	34.2	35.9	38.3	31.9	32.5	34.1	36.4	29.6	30.1	31.6	33.7	
		S/T	0.99	0.96	0.86	0.70	1.00	0.99	0.89	0.73	1.00	1.00	0.92	0.74	1.00	1.00	0.95	0.77	1.00	1.00	0.98	0.80	1.00	1.00	0.99	0.80	
		ΔT	24	24	23	20	24	24	23	20	23	24	23	20	23	23	23	20	22	22	23	20	20	20	21	18	13
		kW	2.67	2.72	2.80	2.89	2.86	2.92	3.01	3.10	3.03	3.10	3.19	3.29	3.18	3.25	3.35	3.46	3.31	3.38	3.49	3.60	3.42	3.50	3.61	3.73	
		Amps	11.4	11.6	11.9	12.3	12.1	12.4	12.7	13.1	13.0	13.3	13.7	14.1	13.8	14.1	14.5	14.9	14.5	14.8	15.3	15.8	15.3	15.6	16.1	16.6	
		Hi PR	255	274	289	302	286	308	325	339	325	350	369	385	370	398	421	439	416	448	473	494	460	495	523	545	
	Lo PR	114	121	132	140	120	128	139	148	125	133	145	154	131	139	152	162	137	146	159	170	142	151	165	176		
	MBh	35.1	35.7	37.4	39.9	34.3	34.9	36.6	39.0	33.4	34.1	35.7	38.1	32.6	33.3	34.8	37.2	31.0	31.6	33.1	35.3	28.7	29.3	30.6	32.7		
	S/T	0.94	0.91	0.82	0.67	0.98	0.94	0.85	0.69	1.00	0.97	0.87	0.71	1.00	1.00	0.90	0.73	1.00	1.00	0.94	0.76	1.00	1.00	0.94	0.77		
	ΔT	25	25	24	20	26	25	24	21	26	25	24	21	25	25	24	21	24	24	24	21	22	22	22	19	19	
	kW	2.65	2.70	2.78	2.87	2.84	2.90	2.99	3.08	3.01	3.07	3.17	3.27	3.16	3.23	3.33	3.43	3.29	3.36	3.46	3.57	3.40	3.47	3.58	3.70		
	Amps	11.3	11.5	11.8	12.2	12.0	12.3	12.6	13.0	12.9	13.2	13.5	14.0	13.7	14.0	14.4	14.8	14.4	14.7	15.2	15.7	15.2	15.5	16.0	16.5		
Hi PR	252	271	287	299	283	305	322	335	322	346	366	381	367	394	417	434	412	444	469	489	456	490	518	540			
Lo PR	112	120	131	139	119	126	138	147	123	131	143	153	130	138	151	160	136	145	158	168	141	149	163	174			
MBh	32.4	33.0	34.6	36.9	31.6	32.2	33.8	36.0	30.9	31.5	32.9	35.1	30.1	30.7	32.1	34.3	28.6	29.2	30.5	32.6	26.5	27.0	28.3	30.2			
S/T	0.91	0.88	0.79	0.64	0.94	0.91	0.82	0.67	0.97	0.93	0.84	0.68	1.00	0.96	0.87	0.71	1.00	1.00	0.90	0.73	1.00	1.00	0.91	0.74			
ΔT	26	25	24	21	26	26	24	21	26	26	24	21	26	26	24	21	25	26	24	21	23	24	23	20	17		
kW	2.59	2.64	2.72	2.80	2.78	2.83	2.92	3.01	2.94	3.00	3.09	3.19	3.08	3.15	3.25	3.35	3.21	3.28	3.38	3.49	3.31	3.39	3.49	3.61			
Amps	11.0	11.2	11.5	11.9	11.8	12.0	12.3	12.7	12.6	12.9	13.2	13.7	13.3	13.6	14.0	14.5	14.1	14.4	14.8	15.3	14.8	15.1	15.6	16.1			
Hi PR	245	263	278	290	274	295	312	325	312	336	355	370	356	383	404	421	400	430	455	474	442	476	502	524			
Lo PR	109	116	127	135	115	123	134	142	120	127	139	148	126	134	146	156	132	140	153	163	136	145	158	169			

IDB: Entering Indoor Dry Bulb Temperature
 High and low pressures are measured at the liquid and suction service valves.
 Shaded area reflects AHRI conditions
 kW = Total system power
 Amps = outdoor unit amps (comp.+fan)

EXPANDED COOLING DATA — GPH1342H41**

IDB	AIRFLOW	OUTDOOR AMBIENT TEMPERATURE																								
		65°F				75°F				85°F				95°F				105°F				115°F				
		59	63	67	71	59	63	67	71	59	63	67	71	59	63	67	71	59	63	67	71	59	63	67	71	
70	1585	MBh	39.7	41.1	45.1	-	38.8	40.2	44.0	-	37.8	39.2	43.0	-	36.9	38.3	41.9	-	35.1	36.4	39.8	-	32.5	33.7	36.9	-
		S/T	0.76	0.63	0.44	-	0.79	0.66	0.46	-	0.81	0.67	0.47	-	0.83	0.70	0.48	-	0.87	0.72	0.50	-	0.87	0.73	0.50	-
	ΔT	17	15	11	-	18	15	12	-	18	15	12	-	18	15	12	-	18	15	12	-	16	14	11	-	
	kW	2.82	2.88	2.96	-	3.02	3.08	3.17	-	3.20	3.26	3.36	-	3.35	3.42	3.52	-	3.48	3.55	3.66	-	3.59	3.67	3.78	-	
	Amps	12.4	12.6	13.0	-	13.2	13.5	13.8	-	14.2	14.4	14.8	-	15.0	15.3	15.7	-	15.8	16.1	16.6	-	16.6	16.9	17.4	-	
	Hi PR	235	253	267	-	264	284	300	-	300	323	341	-	342	368	388	-	384	414	437	-	425	457	483	-	
	Lo PR	113	120	132	-	120	127	139	-	124	132	144	-	131	139	152	-	137	146	159	-	142	151	164	-	
	1410	MBh	38.5	39.9	43.8	-	37.6	39.0	42.7	-	36.7	38.1	41.7	-	35.8	37.1	40.7	-	34.1	35.3	38.7	-	31.5	32.7	35.8	-
		S/T	0.72	0.61	0.42	-	0.75	0.63	0.43	-	0.77	0.64	0.45	-	0.79	0.66	0.46	-	0.83	0.69	0.48	-	0.83	0.69	0.48	-
	ΔT	18	16	12	-	18	16	12	-	18	16	12	-	19	16	12	-	18	16	12	-	17	15	11	-	
kW	2.80	2.86	2.94	-	3.00	3.06	3.15	-	3.17	3.24	3.33	-	3.32	3.39	3.49	-	3.45	3.52	3.63	-	3.57	3.64	3.75	-		
Amps	12.3	12.5	12.9	-	13.1	13.4	13.7	-	14.0	14.3	14.7	-	14.9	15.2	15.6	-	15.7	16.0	16.4	-	16.5	16.8	17.3	-		
Hi PR	233	251	265	-	261	281	297	-	297	320	338	-	338	364	385	-	381	410	433	-	421	453	478	-		
Lo PR	112	119	130	-	118	126	138	-	123	131	143	-	129	138	150	-	136	144	157	-	140	149	163	-		
1236	MBh	35.6	36.9	40.4	-	34.7	36.0	39.4	-	33.9	35.1	38.5	-	33.1	34.3	37.6	-	31.4	32.6	35.7	-	29.1	30.2	33.1	-	
	S/T	0.70	0.58	0.40	-	0.72	0.60	0.42	-	0.74	0.62	0.43	-	0.77	0.64	0.44	-	0.80	0.66	0.46	-	0.80	0.67	0.46	-	
ΔT	18	16	12	-	19	16	12	-	19	16	12	-	19	16	12	-	19	16	12	-	17	15	11	-		
kW	2.74	2.80	2.88	-	2.93	2.99	3.08	-	3.10	3.16	3.26	-	3.25	3.31	3.41	-	3.37	3.44	3.55	-	3.48	3.55	3.66	-		
Amps	12.0	12.3	12.6	-	12.8	13.1	13.4	-	13.7	14.0	14.4	-	14.5	14.8	15.2	-	15.3	15.6	16.1	-	16.1	16.4	16.9	-		
Hi PR	226	243	257	-	253	273	288	-	288	310	327	-	328	353	373	-	369	397	420	-	408	439	464	-		
Lo PR	109	116	126	-	115	122	133	-	119	127	139	-	125	133	146	-	131	140	153	-	136	145	158	-		

75	1585	MBh	40.4	41.6	45.0	48.3	39.4	40.6	43.9	47.2	38.5	39.6	42.9	46.0	37.5	38.7	41.8	44.9	35.7	36.7	39.7	42.7	33.0	34.0	36.8	39.5
		S/T	0.86	0.77	0.58	0.38	0.90	0.80	0.61	0.39	0.92	0.82	0.62	0.40	0.95	0.85	0.64	0.41	0.98	0.88	0.67	0.43	0.99	0.89	0.67	0.43
	ΔT	20	19	15	11	20	19	15	11	20	19	15	11	21	19	16	11	21	19	15	11	19	18	14	10	
	kW	2.85	2.90	2.98	3.07	3.04	3.10	3.20	3.29	3.22	3.29	3.38	3.49	3.38	3.44	3.55	3.66	3.51	3.58	3.69	3.81	3.62	3.70	3.81	3.93	
	Amps	12.5	12.7	13.1	13.5	13.3	13.6	13.9	14.4	14.3	14.6	15.0	15.4	15.1	15.4	15.8	16.4	15.9	16.2	16.7	17.3	16.7	17.1	17.6	18.2	
	Hi PR	238	256	270	282	267	287	303	316	303	326	344	359	345	372	392	409	388	418	441	460	429	462	488	509	
	Lo PR	114	122	133	141	121	129	140	149	126	134	146	155	132	140	153	163	138	147	161	171	143	152	166	177	
	1410	MBh	39.2	40.3	43.7	46.9	38.3	39.4	42.7	45.8	37.4	38.5	41.6	44.7	36.5	37.5	40.6	43.6	34.6	35.7	38.6	41.4	32.1	33.0	35.7	38.4
		S/T	0.82	0.74	0.56	0.36	0.85	0.76	0.58	0.37	0.88	0.78	0.59	0.38	0.90	0.81	0.61	0.39	0.94	0.84	0.63	0.41	0.95	0.85	0.64	0.41
	ΔT	21	19	16	11	21	20	16	11	21	20	16	11	21	20	16	11	21	20	16	11	20	18	15	10	
kW	2.82	2.88	2.96	3.05	3.02	3.08	3.17	3.27	3.20	3.26	3.36	3.46	3.35	3.42	3.52	3.63	3.48	3.55	3.66	3.78	3.59	3.67	3.78	3.90		
Amps	12.4	12.6	13.0	13.4	13.2	13.5	13.8	14.3	14.2	14.4	14.8	15.3	15.0	15.3	15.7	16.2	15.8	16.1	16.6	17.1	16.6	16.9	17.4	18.0		
Hi PR	235	253	267	279	264	284	300	313	300	323	341	356	342	368	388	405	385	414	437	456	425	457	483	504		
Lo PR	113	120	132	140	120	127	139	148	124	132	144	154	131	139	152	162	137	146	159	169	142	151	164	175		
1236	MBh	36.2	37.2	40.3	43.3	35.3	36.4	39.4	42.3	34.5	35.5	38.4	41.2	33.6	34.6	37.5	40.2	32.0	32.9	35.6	38.2	29.6	30.5	33.0	35.4	
	S/T	0.79	0.71	0.54	0.35	0.82	0.74	0.56	0.36	0.84	0.75	0.57	0.37	0.87	0.78	0.59	0.38	0.90	0.81	0.61	0.39	0.91	0.82	0.62	0.40	
ΔT	21	20	16	11	22	20	16	11	22	20	16	11	22	20	16	11	22	20	16	11	20	18	15	10		
kW	2.76	2.82	2.90	2.98	2.96	3.01	3.10	3.19	3.12	3.19	3.28	3.38	3.27	3.34	3.44	3.55	3.40	3.47	3.58	3.69	3.51	3.58	3.69	3.81		
Amps	12.1	12.4	12.7	13.1	12.9	13.2	13.5	13.9	13.8	14.1	14.5	15.0	14.6	14.9	15.3	15.8	15.4	15.7	16.2	16.7	16.2	16.5	17.0	17.6		
Hi PR	228	245	259	270	256	275	291	303	291	313	331	345	332	357	377	393	373	401	424	442	412	444	468	488		
Lo PR	110	117	128	136	116	123	135	144	121	128	140	149	127	135	147	157	133	141	154	164	137	146	160	170		

IDB: Entering Indoor Dry Bulb Temperature
 High and low pressures are measured at the liquid and suction service valves.
 Shaded area reflects ACCA (TVA) conditions
 kW = Total system power
 Amps = outdoor unit amps (comp.+fan)

EXPANDED COOLING DATA — GP1342H41** (CONT.)

IDB	AIRFLOW	OUTDOOR AMBIENT TEMPERATURE												ENTERING INDOOR WET BULB TEMPERATURE												
		65°F				75°F				85°F				95°F				105°F				115°F				
		59	63	67	71	59	63	67	71	59	63	67	71	59	63	67	71	59	63	67	71	59	63	67	71	
80	1585	MBh	41.1	42.0	44.8	47.9	40.1	41.0	43.8	46.8	39.2	40.0	42.8	45.7	38.2	39.0	41.7	44.6	36.3	37.1	39.6	42.4	33.6	34.4	36.7	39.2
		S/T	0.95	0.89	0.72	0.54	1.00	0.92	0.75	0.56	1.00	0.94	0.77	0.57	1.00	1.00	0.79	0.59	1.00	1.00	0.82	0.62	1.00	1.00	0.83	0.62
		ΔT	23	22	19	15	23	22	19	15	22	23	22	19	15	22	23	19	15	21	22	19	15	20	20	18
	1410	kW	2.87	2.92	3.01	3.09	3.07	3.13	3.22	3.32	3.24	3.31	3.41	3.52	3.40	3.47	3.58	3.69	3.54	3.61	3.72	3.84	3.65	3.73	3.84	3.96
		Amps	12.6	12.8	13.2	13.6	13.4	13.7	14.1	14.5	14.4	14.7	15.1	15.6	15.2	15.5	16.0	16.5	16.0	16.4	16.8	17.4	16.9	17.2	17.7	18.3
		Hi PR	240	258	273	284	269	290	306	319	306	329	348	363	349	375	396	413	392	422	446	465	433	466	493	514
	1236	Lo PR	116	123	134	143	122	130	142	151	127	135	147	157	133	142	155	165	140	149	162	173	144	154	168	179
		MBh	39.9	40.8	43.5	46.5	39.0	39.8	42.5	45.5	38.0	38.9	41.5	44.4	37.1	37.9	40.5	43.3	35.2	36.0	38.5	41.1	32.6	33.4	35.6	38.1
		S/T	0.90	0.85	0.69	0.52	0.94	0.88	0.71	0.53	0.96	0.90	0.73	0.55	0.99	0.93	0.76	0.57	1.00	0.96	0.79	0.59	1.00	0.97	0.79	0.59
	85	1585	ΔT	23	23	20	16	24	23	20	16	24	23	20	16	24	23	20	16	23	23	20	16	21	21	18
kW			2.89	2.94	3.03	3.12	3.09	3.15	3.24	3.34	3.27	3.34	3.44	3.54	3.43	3.50	3.61	3.72	3.56	3.64	3.75	3.87	3.68	3.76	3.87	4.00
Amps			12.7	12.9	13.3	13.7	13.5	13.8	14.2	14.6	14.5	14.8	15.2	15.7	15.3	15.6	16.1	16.6	16.2	16.5	17.0	17.5	17.0	17.4	17.9	18.5
1410		Hi PR	242	261	275	287	272	293	309	322	309	333	351	367	352	379	400	417	396	426	450	470	438	471	497	519
		Lo PR	117	124	136	144	123	131	143	153	128	136	149	159	135	143	156	166	141	150	164	174	146	155	169	180
		MBh	40.6	41.4	43.3	46.2	39.6	40.4	42.3	45.1	38.7	39.4	41.3	44.1	37.7	38.5	40.3	43.0	35.9	36.6	38.3	40.8	33.2	33.9	35.5	37.8
1236		S/T	0.95	0.91	0.82	0.67	0.98	0.95	0.85	0.69	1.00	0.97	0.88	0.71	1.00	1.00	0.90	0.73	1.00	1.00	0.94	0.76	1.00	1.00	0.95	0.77
		ΔT	25	25	23	20	25	25	24	20	25	25	24	20	25	25	24	21	23	24	23	20	22	22	22	19
		kW	2.87	2.92	3.01	3.09	3.07	3.13	3.22	3.32	3.24	3.31	3.41	3.52	3.40	3.47	3.58	3.69	3.54	3.61	3.72	3.84	3.65	3.73	3.84	3.96
85		1236	Amps	12.6	12.8	13.2	13.6	13.4	13.7	14.1	14.5	14.4	14.7	15.1	15.6	15.2	15.5	16.0	16.5	16.0	16.4	16.8	17.4	16.9	17.2	17.7
	Hi PR		240	258	273	284	269	290	306	319	306	329	348	363	349	375	396	413	392	422	446	465	433	466	493	514
	Lo PR		116	123	134	143	122	130	142	151	127	135	147	157	133	142	155	165	140	149	162	173	144	154	168	179
85	1236	MBh	37.5	38.2	40.0	42.7	36.6	37.3	39.1	41.7	35.7	36.4	38.1	40.7	34.8	35.5	37.2	39.7	33.1	33.7	35.3	37.7	30.7	31.3	32.7	34.9
		S/T	0.91	0.88	0.80	0.65	0.95	0.91	0.82	0.67	0.97	0.94	0.85	0.69	1.00	0.97	0.87	0.71	1.00	1.00	0.91	0.73	1.00	1.00	0.91	0.74
		ΔT	25	25	24	20	26	25	24	21	26	25	24	21	26	26	24	21	25	25	24	21	23	23	22	19
85	1236	kW	2.80	2.86	2.94	3.03	3.00	3.06	3.15	3.24	3.17	3.23	3.33	3.43	3.32	3.39	3.49	3.60	3.45	3.52	3.63	3.75	3.56	3.64	3.75	3.87
		Amps	12.3	12.5	12.9	13.3	13.1	13.4	13.7	14.2	14.0	14.3	14.7	15.2	14.9	15.2	15.6	16.1	15.7	16.0	16.4	17.0	16.5	16.8	17.3	17.9
		Hi PR	233	250	264	276	261	281	297	310	297	320	337	352	338	364	384	401	381	410	432	451	420	452	478	498
85	1236	Lo PR	112	119	130	139	118	126	138	146	123	131	143	152	129	138	150	160	135	144	157	168	140	149	163	173

IDB: Entering Indoor Dry Bulb Temperature
 High and low pressures are measured at the liquid and suction service valves.
 Shaded area reflects AHRI conditions
 kW = Total system power
 Amps = outdoor unit amps (comp. + fan)

EXPANDED COOLING DATA — GPH1348H41**

IDB	AIRFLOW	OUTDOOR AMBIENT TEMPERATURE												ENTERING INDOOR WET BULB TEMPERATURE													
		65°F				75°F				85°F				95°F				105°F				115°F					
		59	63	67	71	59	63	67	71	59	63	67	71	59	63	67	71	59	63	67	71	59	63	67	71		
70	1800	MBh	45.1	46.7	51.2	-	44.0	45.6	50.0	-	43.0	44.5	48.8	-	41.9	43.5	47.6	-	39.8	41.3	45.2	-	36.9	38.2	41.9	-	
		S/T	0.78	0.65	0.45	-	0.81	0.67	0.47	-	0.83	0.69	0.48	-	0.85	0.71	0.49	-	0.89	0.74	0.51	-	0.89	0.75	0.52	-	
		ΔT	18	16	12	-	18	16	12	-	18	16	12	-	18	16	12	-	18	16	12	-	17	15	11	-	
	1600	kW	3.09	3.15	3.24	-	3.31	3.37	3.47	-	3.50	3.57	3.67	-	3.66	3.74	3.85	-	3.81	3.88	4.00	-	3.93	4.01	4.13	-	
		Amps	13.6	13.8	14.2	-	14.5	14.7	15.1	-	15.5	15.8	16.2	-	16.4	16.7	17.2	-	17.2	17.6	18.1	-	18.1	18.5	19.0	-	
		Hi PR	228	245	259	-	256	275	290	-	291	313	330	-	331	356	376	-	372	401	423	-	411	443	468	-	
	1400	Lo PR	109	116	127	-	116	123	134	-	120	128	139	-	126	134	146	-	132	141	154	-	137	145	159	-	
		MBh	43.8	45.4	49.7	-	42.7	44.3	48.5	-	41.7	43.2	47.4	-	40.7	42.2	46.2	-	38.7	40.1	43.9	-	35.8	37.1	40.7	-	
		S/T	0.74	0.62	0.43	-	0.77	0.64	0.45	-	0.79	0.66	0.46	-	0.81	0.68	0.47	-	0.85	0.71	0.49	-	0.85	0.71	0.49	-	
	75	1800	ΔT	19	16	12	-	19	16	12	-	19	16	12	-	19	16	13	-	19	16	12	-	18	15	12	-
			kW	3.01	3.06	3.15	-	3.21	3.27	3.37	-	3.39	3.46	3.56	-	3.55	3.62	3.73	-	3.69	3.76	3.88	-	3.81	3.89	4.00	-
			Amps	13.2	13.4	13.8	-	14.0	14.3	14.7	-	15.0	15.3	15.7	-	15.9	16.2	16.6	-	16.7	17.1	17.5	-	17.5	17.9	18.4	-
1600		Hi PR	219	235	249	-	245	264	279	-	279	300	317	-	318	342	361	-	358	385	406	-	395	425	449	-	
		Lo PR	105	112	122	-	111	118	129	-	115	123	134	-	121	129	141	-	127	135	147	-	131	140	153	-	
		MBh	40.4	41.9	45.9	-	39.5	40.9	44.8	-	38.5	39.9	43.7	-	37.6	38.9	42.7	-	35.7	37.0	40.5	-	33.1	34.3	37.5	-	
1400		S/T	0.72	0.60	0.41	-	0.74	0.62	0.43	-	0.76	0.64	0.44	-	0.79	0.66	0.45	-	0.82	0.68	0.47	-	0.82	0.69	0.48	-	
		ΔT	19	16	12	-	19	17	13	-	19	17	13	-	19	17	13	-	19	17	13	-	18	15	12	-	
		kW	3.01	3.06	3.15	-	3.21	3.27	3.37	-	3.39	3.46	3.56	-	3.55	3.62	3.73	-	3.69	3.76	3.88	-	3.81	3.89	4.00	-	
75		1800	Amps	13.2	13.4	13.8	-	14.0	14.3	14.7	-	15.0	15.3	15.7	-	15.9	16.2	16.6	-	16.7	17.1	17.5	-	17.5	17.9	18.4	-
			Hi PR	230	248	261	273	258	278	293	306	294	316	334	348	334	360	380	396	376	405	427	446	416	447	472	493
			Lo PR	110	118	128	137	117	124	136	144	121	129	141	150	127	136	148	158	134	142	155	165	138	147	160	171
	1600	MBh	44.5	45.8	49.6	53.2	43.5	44.8	48.4	52.0	42.4	43.7	47.3	50.8	41.4	42.6	46.1	49.5	39.3	40.5	43.8	47.0	36.4	37.5	40.6	43.6	
		S/T	0.84	0.75	0.57	0.37	0.87	0.78	0.59	0.38	0.90	0.80	0.61	0.39	0.93	0.83	0.63	0.40	0.96	0.86	0.65	0.42	0.97	0.87	0.66	0.42	
		ΔT	22	20	16	11	22	20	16	11	22	20	16	11	22	20	17	11	22	20	16	11	20	19	15	11	
	1400	kW	3.09	3.15	3.24	3.34	3.31	3.37	3.47	3.57	3.50	3.57	3.67	3.78	3.66	3.74	3.85	3.97	3.81	3.88	4.00	4.13	3.93	4.01	4.13	4.26	
		Amps	13.6	13.8	14.2	14.6	14.5	14.7	15.1	15.6	15.5	15.8	16.2	16.7	16.4	16.7	17.2	17.7	17.2	17.6	18.1	18.7	18.1	18.5	19.0	19.6	
		Hi PR	228	245	259	270	256	275	290	303	291	313	330	345	331	356	376	392	372	401	423	441	412	443	468	488	
	1400	Lo PR	109	116	127	135	116	123	134	143	120	128	139	149	126	134	147	156	132	141	154	164	137	145	159	169	
		MBh	41.1	42.3	45.8	49.1	40.1	41.3	44.7	48.0	39.2	40.3	43.7	46.8	38.2	39.3	42.6	45.7	36.3	37.4	40.5	43.4	33.6	34.6	37.5	40.2	
		S/T	0.81	0.73	0.55	0.35	0.84	0.75	0.57	0.37	0.86	0.77	0.59	0.38	0.89	0.80	0.60	0.39	0.93	0.83	0.63	0.40	0.93	0.84	0.63	0.41	
1400	ΔT	22	20	17	11	22	20	17	12	22	20	17	12	22	21	17	12	22	20	17	12	21	19	16	11		
	kW	3.03	3.08	3.17	3.26	3.23	3.30	3.39	3.49	3.42	3.49	3.59	3.70	3.58	3.65	3.76	3.88	3.72	3.79	3.91	4.03	3.84	3.92	4.04	4.16		
	Amps	13.3	13.5	13.9	14.3	14.1	14.4	14.8	15.3	15.1	15.4	15.9	16.4	16.0	16.3	16.8	17.3	16.8	17.2	17.7	18.2	17.7	18.0	18.6	19.2		
1400	Hi PR	221	238	251	262	248	267	282	294	282	303	320	334	321	346	365	381	361	389	411	428	399	430	454	473		
	Lo PR	106	113	123	131	112	119	130	139	116	124	135	144	122	130	142	151	128	136	149	159	133	141	154	164		

kW = Total system power
Amps = outdoor unit amps (comp.+fan)

Shaded area reflects ACCA (TVA) conditions

IDB: Entering Indoor Dry Bulb Temperature
High and low pressures are measured at the liquid and suction service valves.

EXPANDED COOLING DATA — GP1348H41** (CONT.)

IDB	AIRFLOW	OUTDOOR AMBIENT TEMPERATURE																									
		65°F				75°F				85°F				95°F				105°F				115°F					
		59	63	67	71	59	63	67	71	59	63	67	71	59	63	67	71	59	63	67	71	59	63	67	71		
80	1800	MBh	46.7	47.7	50.9	54.4	45.6	46.6	49.7	53.2	44.5	45.5	48.6	51.9	43.4	44.3	47.4	50.6	41.2	42.1	45.0	48.1	38.2	39.0	41.7	44.6	
		S/T	0.97	0.91	0.74	0.55	1.00	0.94	0.77	0.57	1.00	0.97	0.79	0.59	1.00	1.00	0.81	0.61	1.00	1.00	0.84	0.63	1.00	1.00	0.85	0.64	
		ΔT	23	22	19	15	23	22	20	16	22	22	20	16	22	23	20	16	21	22	19	15	20	20	18	14	
	1600	kW	3.14	3.20	3.29	3.39	3.36	3.42	3.52	3.63	3.55	3.62	3.73	3.84	3.72	3.80	3.91	4.03	3.86	3.94	4.07	4.19	3.99	4.07	4.20	4.33	
		Amps	13.8	14.0	14.4	14.9	14.7	15.0	15.4	15.9	15.7	16.0	16.5	17.0	16.6	17.0	17.4	18.0	17.5	17.9	18.4	19.0	18.4	18.8	19.3	20.0	
		Hi PR	232	250	264	275	261	281	296	309	297	319	337	351	338	363	384	400	380	409	432	450	420	452	477	498	
	1400	Lo PR	112	119	130	138	118	125	137	146	123	130	142	152	129	137	149	159	135	143	157	167	140	148	162	173	
		MBh	45.3	46.3	49.5	52.9	44.2	45.2	48.3	51.6	43.2	44.1	47.2	50.4	42.1	43.1	46.0	49.2	40.0	40.9	43.7	46.7	37.1	37.9	40.5	43.3	
		S/T	0.93	0.87	0.71	0.53	0.96	0.90	0.73	0.55	0.98	0.92	0.75	0.56	1.00	0.95	0.78	0.58	1.00	0.99	0.80	0.60	1.00	1.00	0.81	0.61	
	85	1800	ΔT	24	23	20	16	24	23	20	16	24	23	20	16	24	24	20	16	23	23	20	16	21	22	19	15
			kW	3.05	3.11	3.19	3.29	3.26	3.32	3.42	3.52	3.44	3.51	3.62	3.73	3.61	3.68	3.79	3.91	3.75	3.82	3.94	4.06	3.87	3.95	4.07	4.19
			Amps	13.4	13.6	14.0	14.4	14.3	14.5	14.9	15.4	15.2	15.6	16.0	16.5	16.1	16.4	16.9	17.4	17.0	17.3	17.8	18.4	17.8	18.2	18.7	19.3
1600		Hi PR	223	240	254	265	250	269	285	297	285	306	324	338	324	349	369	384	365	393	415	433	403	434	458	478	
		Lo PR	107	114	124	133	113	120	132	140	118	125	137	146	124	132	144	153	130	138	150	160	134	143	156	166	
		MBh	41.8	42.7	45.6	48.8	40.8	41.7	44.6	47.7	39.9	40.7	43.5	46.5	38.9	39.7	42.5	45.4	36.9	37.8	40.3	43.1	34.2	35.0	37.4	39.9	
1400		S/T	0.89	0.84	0.68	0.51	0.92	0.87	0.71	0.53	0.95	0.89	0.72	0.54	0.98	0.92	0.75	0.56	1.02	0.95	0.78	0.58	1.02	1.02	0.96	0.78	
		ΔT	25	23	20	16	25	24	21	17	25	24	21	17	25	24	21	17	25	24	21	16	23	22	19	15	
		kW	3.05	3.11	3.19	3.29	3.26	3.32	3.42	3.52	3.44	3.51	3.62	3.73	3.61	3.68	3.79	3.91	3.75	3.82	3.94	4.06	3.87	3.95	4.07	4.19	
1800		Amps	13.9	14.2	14.5	15.0	14.8	15.1	15.5	16.0	15.8	16.2	16.6	17.1	16.7	17.1	17.6	18.1	17.7	18.0	18.5	19.1	18.5	18.9	19.5	20.1	
		Hi PR	235	253	267	278	263	283	299	312	300	322	340	355	341	367	388	404	384	413	436	455	424	456	482	503	
		Lo PR	113	120	131	139	119	127	138	147	124	132	144	153	130	138	151	161	136	145	158	169	141	150	164	174	
1600	MBh	46.1	47.0	49.2	52.5	45.0	45.9	48.1	51.3	43.9	44.8	46.9	50.1	42.9	43.7	45.8	48.8	40.7	41.5	43.5	46.4	37.7	38.5	40.3	43.0		
	S/T	0.97	0.94	0.84	0.69	1.00	0.97	0.88	0.71	1.00	0.99	0.90	0.73	1.00	1.00	0.93	0.75	1.00	1.00	0.96	0.78	1.00	1.00	0.97	0.79		
	ΔT	26	25	24	21	26	26	24	21	25	26	24	21	25	25	24	21	23	24	24	21	22	22	22	19		
1400	kW	3.14	3.20	3.29	3.39	3.36	3.42	3.52	3.63	3.55	3.62	3.73	3.84	3.72	3.80	3.91	4.03	3.86	3.94	4.07	4.19	3.99	4.07	4.20	4.33		
	Amps	13.8	14.0	14.4	14.9	14.7	15.0	15.4	15.9	15.7	16.0	16.5	17.0	16.6	17.0	17.4	18.0	17.5	17.9	18.4	19.0	18.4	18.8	19.3	20.0		
	Hi PR	232	250	264	275	261	281	296	309	297	319	337	351	338	363	384	400	380	409	432	450	420	452	477	498		
1800	Lo PR	112	119	130	138	118	125	137	146	123	130	142	152	129	137	149	159	135	143	157	167	140	148	162	173		
	MBh	42.5	43.4	45.4	48.5	41.5	42.4	44.4	47.3	40.6	41.3	43.3	46.2	39.6	40.3	42.2	45.1	37.6	38.3	40.1	42.8	34.8	35.5	37.2	39.7		
	S/T	0.94	0.90	0.81	0.66	0.97	0.94	0.84	0.69	0.99	0.96	0.87	0.70	1.00	0.99	0.89	0.73	1.00	1.00	0.93	0.75	1.00	1.00	0.94	0.76		
1400	ΔT	26	26	24	21	26	26	25	21	26	26	25	21	26	26	25	21	25	25	24	21	23	23	23	20		
	kW	3.07	3.13	3.22	3.31	3.28	3.35	3.44	3.55	3.47	3.54	3.64	3.75	3.63	3.71	3.82	3.94	3.78	3.85	3.97	4.09	3.90	3.98	4.10	4.23		
	Amps	13.5	13.7	14.1	14.5	14.4	14.6	15.0	15.5	15.4	15.7	16.1	16.6	16.2	16.6	17.0	17.6	17.1	17.5	18.0	18.5	18.0	18.3	18.9	19.5		
1800	Hi PR	225	243	256	267	253	272	287	300	288	310	327	341	328	353	372	388	369	397	419	437	407	438	463	483		
	Lo PR	108	115	126	134	114	122	133	141	119	126	138	147	125	133	145	154	131	139	152	162	135	144	157	167		
	MBh	41.8	42.7	45.6	48.8	40.8	41.7	44.6	47.7	39.9	40.7	43.5	46.5	38.9	39.7	42.5	45.4	36.9	37.8	40.3	43.1	34.2	35.0	37.4	39.9		

Shaded area reflects AHRI conditions
kW = Total system power
Amps = outdoor unit amps (comp. - fan)

High and low pressures are measured at the liquid and suction service valves.

IDB: Entering Indoor Dry Bulb Temperature
High and low pressures are measured at the liquid and suction service valves.

EXPANDED COOLING DATA — GPH1360H41** (CONT.)

IDB	AIRFLOW	OUTDOOR AMBIENT TEMPERATURE												ENTERING INDOOR WET BULB TEMPERATURE											
		65°F				75°F				85°F				95°F				105°F				115°F			
		59	63	67	71	59	63	67	71	59	63	67	71	59	63	67	71	59	63	67	71	59	63	67	71
2079	MBh	58.3	59.6	63.7	68.1	57.0	58.2	62.2	66.5	55.6	56.8	60.7	64.9	54.3	55.4	59.2	63.3	51.5	52.7	56.3	60.1	47.7	48.8	52.1	55.7
	S/T	0.93	0.87	0.71	0.53	0.96	0.90	0.74	0.55	1.00	0.93	0.75	0.56	1.00	0.96	0.78	0.58	1.00	1.00	0.81	0.60	1.00	1.00	0.81	0.61
	ΔT	24	23	20	16	24	23	20	16	25	23	20	16	24	23	20	16	23	23	20	16	21	22	19	15
	kW	3.92	4.00	4.12	4.26	4.22	4.31	4.44	4.59	4.48	4.58	4.73	4.88	4.71	4.82	4.98	5.14	4.91	5.02	5.19	5.36	5.08	5.20	5.37	5.55
	Amps	16.5	16.8	17.3	17.9	17.6	18.0	18.6	19.2	19.0	19.4	20.0	20.7	20.2	20.6	21.3	22.0	21.4	21.9	22.5	23.3	22.5	23.1	23.8	24.6
	Hi PR	237	255	270	281	266	286	303	316	303	326	344	359	345	371	392	409	388	417	441	460	429	461	487	508
Lo PR	109	116	127	135	116	123	134	143	120	128	139	148	126	134	146	156	132	141	153	163	137	145	159	169	
1850	MBh	56.6	57.9	61.8	66.1	55.3	56.5	60.4	64.5	54.0	55.2	58.9	63.0	52.7	53.8	57.5	61.5	50.0	51.1	54.6	58.4	46.3	47.4	50.6	54.1
	S/T	0.89	0.83	0.68	0.51	0.92	0.86	0.70	0.52	0.94	0.88	0.72	0.54	0.97	0.91	0.74	0.55	1.00	0.95	0.77	0.58	1.00	0.95	0.78	0.58
	ΔT	25	24	21	17	25	24	21	17	25	24	21	17	25	24	21	17	25	24	21	17	23	22	20	16
	kW	3.89	3.97	4.09	4.22	4.18	4.27	4.41	4.55	4.44	4.54	4.69	4.84	4.68	4.78	4.93	5.10	4.87	4.98	5.14	5.32	5.04	5.15	5.32	5.50
	Amps	16.3	16.7	17.2	17.7	17.5	17.9	18.4	19.0	18.9	19.3	19.9	20.5	20.0	20.5	21.1	21.8	21.2	21.7	22.3	23.1	22.4	22.9	23.6	24.4
	Hi PR	235	253	267	278	264	284	300	312	300	323	341	355	341	367	388	405	384	413	437	455	424	457	482	503
Lo PR	108	115	126	134	114	122	133	141	119	126	138	147	125	133	145	154	131	139	152	162	135	144	157	167	
1621	MBh	52.3	53.4	57.1	61.0	51.0	52.2	55.7	59.6	49.8	50.9	54.4	58.2	48.6	49.7	53.1	56.7	46.2	47.2	50.4	53.9	42.8	43.7	46.7	49.9
	S/T	0.85	0.80	0.65	0.49	0.89	0.83	0.68	0.51	0.91	0.85	0.69	0.52	0.94	0.88	0.72	0.54	0.97	0.91	0.74	0.56	0.98	0.92	0.75	0.56
	ΔT	25	24	21	17	26	25	21	17	26	25	21	17	26	25	22	17	25	24	21	17	24	23	20	16
	kW	3.79	3.87	3.99	4.12	4.08	4.17	4.30	4.44	4.34	4.43	4.57	4.72	4.56	4.66	4.81	4.97	4.75	4.85	5.01	5.18	4.91	5.02	5.19	5.36
	Amps	15.9	16.3	16.8	17.3	17.1	17.4	18.0	18.6	18.4	18.8	19.4	20.0	19.5	20.0	20.6	21.3	20.7	21.1	21.8	22.5	21.8	22.3	23.0	23.8
	Hi PR	228	245	259	270	256	275	291	303	291	313	330	345	331	356	376	393	373	401	423	442	412	443	468	488
Lo PR	105	112	122	130	111	118	129	137	115	123	134	143	121	129	141	150	127	135	147	157	131	140	152	162	
2079	MBh	59.3	60.5	63.3	67.6	58.0	59.1	61.9	66.0	56.6	57.7	60.4	64.4	55.2	56.3	58.9	62.9	52.4	53.5	56.0	59.7	48.6	49.5	51.9	55.3
	S/T	0.97	0.94	0.85	0.69	1.00	0.97	0.88	0.71	1.00	0.95	0.86	0.70	1.00	0.98	0.89	0.72	1.00	1.00	0.92	0.75	1.00	1.00	0.93	0.75
	ΔT	26	25	24	21	26	25	24	21	25	25	24	21	24	25	24	21	23	24	24	21	21	22	22	19
	kW	3.95	4.03	4.16	4.29	4.25	4.34	4.48	4.63	4.52	4.62	4.77	4.92	4.75	4.86	5.02	5.18	4.95	5.06	5.23	5.41	5.13	5.24	5.42	5.60
	Amps	16.6	16.9	17.4	18.0	17.8	18.2	18.7	19.3	19.2	19.6	20.2	20.9	20.4	20.8	21.5	22.2	21.6	22.0	22.7	23.5	22.7	23.3	24.0	24.8
	Hi PR	240	258	272	284	269	289	306	319	306	329	348	362	348	375	396	413	392	422	445	464	433	466	492	513
Lo PR	110	117	128	137	117	124	135	144	121	129	141	150	127	135	148	158	133	142	155	165	138	147	160	171	
1850	MBh	57.6	58.7	61.5	65.6	56.3	57.4	60.1	64.1	54.9	56.0	58.6	62.6	53.6	54.6	57.2	61.0	50.9	51.9	54.4	58.0	47.2	48.1	50.3	53.7
	S/T	0.93	0.90	0.81	0.66	0.96	0.93	0.84	0.68	0.99	0.95	0.86	0.70	1.00	0.98	0.89	0.72	1.00	1.00	0.92	0.75	1.00	1.00	0.93	0.75
	ΔT	27	26	25	21	27	26	25	22	27	27	25	22	27	27	25	22	25	26	25	22	23	24	23	20
	kW	3.92	4.00	4.12	4.26	4.22	4.31	4.44	4.59	4.48	4.58	4.73	4.88	4.71	4.82	4.98	5.14	4.91	5.02	5.19	5.36	5.08	5.20	5.37	5.55
	Amps	16.5	16.8	17.3	17.9	17.6	18.0	18.6	19.2	19.0	19.4	20.0	20.7	20.2	20.6	21.3	22.0	21.4	21.9	22.5	23.3	22.5	23.1	23.8	24.6
	Hi PR	237	255	270	281	266	286	303	316	303	326	344	359	345	371	392	409	388	417	441	460	429	461	487	508
Lo PR	109	116	127	135	116	123	134	143	120	128	139	148	126	134	146	156	132	141	153	163	137	145	159	169	
1621	MBh	53.2	54.2	56.8	60.6	51.9	52.9	55.4	59.2	50.7	51.7	54.1	57.7	49.5	50.4	52.8	56.3	47.0	47.9	50.2	53.5	43.5	44.4	46.5	49.6
	S/T	0.90	0.86	0.78	0.63	0.93	0.90	0.81	0.66	0.95	0.92	0.83	0.67	0.98	0.95	0.86	0.69	1.00	0.98	0.89	0.72	1.00	0.99	0.90	0.73
	ΔT	27	27	25	22	27	27	25	22	27	27	25	22	28	27	26	22	27	27	25	22	25	25	24	20
	kW	3.82	3.90	4.02	4.15	4.11	4.20	4.34	4.48	4.37	4.47	4.61	4.76	4.60	4.70	4.85	5.01	4.79	4.90	5.06	5.23	4.96	5.07	5.23	5.41
	Amps	16.1	16.4	16.9	17.4	17.2	17.6	18.1	18.7	18.5	19.0	19.5	20.2	19.7	20.1	20.7	21.5	20.8	21.3	22.0	22.7	22.0	22.5	23.2	24.0
	Hi PR	230	248	262	273	258	278	293	306	294	316	334	348	335	360	380	396	376	405	428	446	416	447	472	493
Lo PR	106	113	123	131	112	119	130	139	116	124	135	144	122	130	142	151	128	136	149	159	133	141	154	164	

IDB: Entering Indoor Dry Bulb Temperature
 High and low pressures are measured at the liquid and suction service valves.
 Shaded area reflects AHRI conditions
 kW = Total system power
 Amps = outdoor unit amps (comp. + fan)

AIRFLOW DATA

MODEL	SPEED	VOLTS		E.S.P (In. of H ₂ O)							
				0.1	0.2	0.3	0.4	0.5	0.6	0.7	0.8
GPH13 24H41**	Low	230	CFM	680	640	590	555	505	440	340	-
			Watts	155	150	145	140	130	120	110	-
	Med	230	CFM	895	855	815	755	700	630	545	390
			Watts	230	220	215	205	195	180	170	145
	High	230	CFM	1,185	1,130	1,070	1,010	930	850	760	650
			Watts	350	340	325	310	295	280	265	245
GPH13 30H41**	Low	230	CFM	1,150	1,080	1,025	975	925	845	-	-
			Watts	340	330	315	305	295	280	-	-
	Med	230	CFM	1,335	1,275	1,205	1,135	1,075	985	910	845
			Watts	425	415	400	385	370	350	330	310
	High	230	CFM	1,435	1,355	1,290	1,210	1,130	1,040	960	885
			Watts	485	465	455	435	415	400	385	370
GPH13 36H41**	Low	230	CFM	1,180	1,125	1,075	1,020	955	875	655	-
			Watts	335	325	315	305	295	275	240	-
	Med	230	CFM	1,350	1,280	1,205	1,130	1,050	985	910	845
			Watts	435	420	405	385	375	350	330	310
	High	230	CFM	1,450	1,370	1,290	1,205	1,130	1,040	960	885
			Watts	495	480	465	440	425	400	385	370
GPH13 42H41**	Low	230	CFM	1,425	1,410	1,355	1,310	1,245	1,170	1,080	-
			Watts	450	445	430	420	405	390	370	-
	Med	230	CFM	1,620	1,595	1,545	1,485	1,425	1,345	1,250	1,160
			Watts	550	540	525	510	495	475	450	425
	High	230	CFM	1,945	1,935	1,875	1,800	1,730	1,635	1,535	1,440
			Watts	765	755	735	715	695	670	640	615
GPH13 48H41**	Low	230	CFM	1,425	1,410	1,355	1,310	1,245	1,170	1,080	-
			Watts	450	445	430	420	405	390	370	-
	Med	230	CFM	1,720	1,660	1,585	1,520	1,460	1,365	1,270	-
			Watts	560	555	540	530	520	490	470	-
	High	230	CFM	2,110	2,060	1,980	1,895	1,795	1,705	1,590	1,500
			Watts	785	780	765	745	720	705	665	625
GPH13 60H41B*	Low	230	CFM	1,775	1,635	1,645	1,515	1,510	1,450	1,430	1,400
			Watts	395	420	435	445	455	465	470	475
	Med	230	CFM	1,845	1,790	1,715	1,685	1,590	1,580	1,530	1,500
			Watts	490	505	520	535	550	560	570	575
	High	230	CFM	2,025	1,900	1,840	1,780	1,725	1,650	1,620	1,580
			Watts	575	595	620	630	645	655	660	670
GPH13 60H41D*	Low	230	CFM	1,750	1,702	1,654	1,606	1,557	1,509	1,461	1,413
			Watts	334	342	349	357	365	373	381	388
	Med	230	CFM	1,967	1,919	1,871	1,823	1,774	1,726	1,678	1,630
			Watts	482	490	498	506	513	521	529	537
	High	230	CFM	2,106	2,058	2,009	1,961	1,913	1,865	1,817	1,768
			Watts	577	585	592	600	608	616	624	631

NOTES

- Data shown is dry coil. Wet coil pressure drop is approximately 0.1" H₂O, for two-row indoor coil; 0.2" H₂O, for three-row indoor coil; and 0.3" H₂O, for four-row indoor coil.
- Data shown does not include filter pressure drop, approx. 0.08" H₂O.
- ALL MODELS SHOULD RUN NO LESS THAN 350 CFM/TON. USE HIGHER SPEED TAP OR NEXT SIZE LARGER BLOWER ASM. See Repair Parts list.
- Reduce airflow by 2% for 208-volt operation.

EXPANDED HEATING DATA

GPH1324H41**

	OUTDOOR AMBIENT TEMPERATURE																	
	65	60	55	50	47	45	40	35	30	25	20	17	15	10	5	0	-5	-10
MBh	27.7	26.2	24.6	23.0	22.0	21.3	19.8	18.3	17.4	16.1	14.8	14.0	13.5	12.1	10.7	9.4	8.0	6.5
T/R	29.3	27.7	26.1	24.4	23.3	22.6	21.0	19.3	18.5	17.0	15.7	14.8	14.3	12.8	11.3	9.9	8.4	6.9
kW	2.01	1.97	1.94	1.90	1.88	1.86	1.82	1.78	1.82	1.78	1.74	1.72	1.70	1.66	1.62	1.58	1.54	1.50
Amps	9.6	9.0	8.5	8.1	7.8	7.7	7.3	7.0	6.7	6.5	6.2	6.1	6.0	5.8	5.5	5.2	4.9	4.5
COP	4.02	3.88	3.73	3.55	3.43	3.36	3.18	3.00	2.81	2.65	2.50	2.39	2.32	2.13	1.94	1.73	1.52	1.28
EER	13.7	13.3	12.7	12.1	11.7	11.5	10.9	10.2	9.6	9.1	8.5	8.2	7.9	7.3	6.6	5.9	5.2	4.4
Hi PR	366	351	337	323	315	309	297	285	273	261	251	245	240	231	222	213	205	198
Lo PR	132	122	114	105	99	95	88	78	70	63	55	51	50	42	36	31	27	21

GPH1330H41**

	OUTDOOR AMBIENT TEMPERATURE																	
	65	60	55	50	47	45	40	35	30	25	20	17	15	10	5	0	-5	-10
MBh	33.9	32.1	30.2	28.3	27.0	26.2	24.3	22.4	19.8	18.2	16.8	15.9	15.3	13.7	12.1	10.6	9.0	7.4
T/R	29.9	28.3	26.7	24.9	23.8	23.1	21.4	19.8	17.4	16.1	14.8	14.0	13.5	12.1	10.7	9.3	8.0	6.5
kW	2.43	2.39	2.34	2.29	2.27	2.25	2.20	2.16	2.50	2.44	2.38	2.35	2.33	2.27	2.21	2.16	2.10	2.04
Amps	12.1	11.3	10.7	10.1	9.8	9.6	9.2	8.8	8.5	8.1	7.8	7.7	7.6	7.2	6.9	6.5	6.1	5.7
COP	4.08	3.94	3.78	3.61	3.49	3.41	3.23	3.04	2.32	2.19	2.06	1.98	1.92	1.77	1.61	1.44	1.26	1.06
EER	14.0	13.5	12.9	12.3	11.9	11.6	11.0	10.4	7.9	7.5	7.0	6.7	6.6	6.0	5.5	4.9	4.3	3.6
Hi PR	384	368	354	338	331	324	312	299	287	274	263	256	252	242	233	223	215	208
Lo PR	132	122	115	105	99	96	88	78	71	63	55	52	50	42	36	31	27	21

GPH1336H41**

	OUTDOOR AMBIENT TEMPERATURE																	
	65	60	55	50	47	45	40	35	30	25	20	17	15	10	5	0	-5	-10
MBh	42.2	40.0	37.6	35.2	33.6	32.6	30.2	27.9	22.4	20.7	19.1	18.0	17.3	15.6	13.8	12.0	10.3	8.4
T/R	32.6	30.9	29.0	27.1	25.9	25.1	23.3	21.5	17.3	16.0	14.7	13.9	13.4	12.0	10.6	9.3	7.9	6.5
kW	2.99	2.94	2.88	2.82	2.79	2.77	2.72	2.66	2.76	2.70	2.64	2.61	2.58	2.52	2.47	2.41	2.35	2.29
Amps	14.8	13.9	13.1	12.5	12.1	11.9	11.3	10.8	10.5	10.1	9.7	9.5	9.4	9.0	8.6	8.2	7.7	7.1
COP	4.13	3.99	3.82	3.64	3.52	3.44	3.26	3.07	2.38	2.24	2.11	2.02	1.96	1.80	1.64	1.46	1.28	1.07
EER	14.1	13.6	13.1	12.5	12.0	11.8	11.1	10.5	8.1	7.7	7.2	6.9	6.7	6.2	5.6	5.0	4.4	3.7
Hi PR	368	353	339	324	317	311	299	287	274	262	252	246	241	232	223	214	206	199
Lo PR	134	125	117	107	101	97	90	80	72	64	57	53	51	43	37	31	27	21

Above information is for nominal CFM and 70° indoor dry bulb. Instantaneous capacity listed.
High pressure is measured at the liquid line access fitting.

kW = Total system power

Amps = Unit amps (comp.+ evaporator motor + condenser fan motor)
Low pressure is measured at the compressor suction access fitting.

EXPANDED HEATING DATA (CONT.)

GPH1342H41**

	OUTDOOR AMBIENT TEMPERATURE																	
	65	60	55	50	47	45	40	35	30	25	20	17	15	10	5	0	-5	-10
MBh	47.8	45.2	42.6	39.8	38.0	36.8	34.2	31.5	27.4	25.3	23.3	22.0	21.2	19.0	16.9	14.7	12.5	10.3
T/R	31.4	29.7	27.9	26.1	25.0	24.2	22.5	20.7	18.0	16.6	15.3	14.4	13.9	12.5	11.1	9.7	8.2	6.7
kW	3.27	3.21	3.15	3.09	3.06	3.04	2.98	2.92	3.03	2.97	2.90	2.87	2.84	2.78	2.71	2.65	2.59	2.53
Amps	11.9	11.2	10.7	10.2	9.9	9.8	9.4	9.0	8.8	8.5	8.2	8.1	8.0	7.8	7.4	7.1	6.8	6.4
COP	4.27	4.12	3.95	3.76	3.63	3.55	3.36	3.16	2.65	2.50	2.35	2.25	2.18	2.00	1.82	1.62	1.42	1.19
EER	14.6	14.1	13.5	12.9	12.4	12.1	11.5	10.8	9.0	8.5	8.0	7.7	7.5	6.8	6.2	5.5	4.8	4.1
Hi PR	355	341	327	313	306	300	288	277	265	253	243	237	233	224	216	207	199	192
Lo PR	130	121	113	104	98	94	87	77	70	62	55	51	49	41	36	30	26	21

GPH1348H41**

	OUTDOOR AMBIENT TEMPERATURE																	
	65	60	55	50	47	45	40	35	30	25	20	17	15	10	5	0	-5	-10
MBh	55.9	53.0	49.8	46.6	44.5	43.1	40.1	36.9	32.4	29.9	27.5	26.0	25.0	22.5	19.9	17.4	14.8	12.1
T/R	32.4	30.6	28.8	27.0	25.8	25.0	23.2	21.4	18.7	17.3	15.9	15.0	14.5	13.0	11.5	10.1	8.6	7.0
kW	3.72	3.65	3.58	3.52	3.48	3.45	3.38	3.32	3.40	3.33	3.26	3.22	3.19	3.12	3.05	2.98	2.90	2.83
Amps	19.1	17.9	16.9	16.1	15.6	15.4	14.6	14.0	13.5	13.1	12.6	12.3	12.2	11.7	11.1	10.6	10.0	9.3
COP	4.40	4.24	4.07	3.88	3.74	3.66	3.46	3.26	2.79	2.63	2.47	2.37	2.30	2.11	1.91	1.71	1.49	1.25
EER	15.0	14.5	13.9	13.2	12.8	12.5	11.8	11.1	9.5	9.0	8.4	8.1	7.9	7.2	6.5	5.8	5.1	4.3
Hi PR	366	351	337	323	315	309	297	285	273	261	250	244	240	231	222	213	205	198
Lo PR	130	121	113	104	98	94	87	77	70	62	55	51	49	41	36	30	26	21

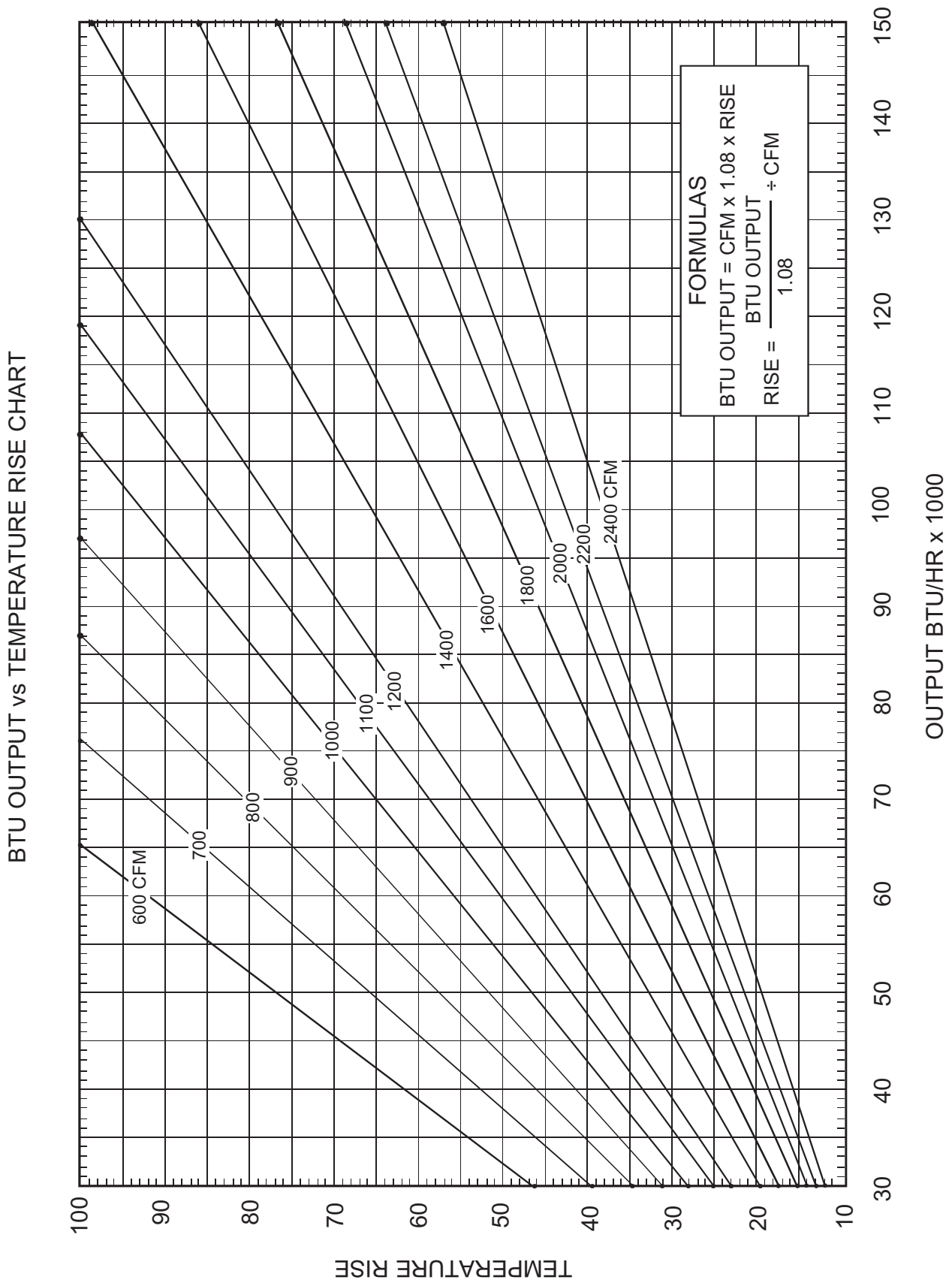
GPH1360H41**

	OUTDOOR AMBIENT TEMPERATURE																	
	65	60	55	50	47	45	40	35	30	25	20	17	15	10	5	0	-5	-10
MBh	68.5	64.9	61.0	57.1	54.5	52.8	49.1	45.2	39.9	36.8	33.9	32.0	30.8	27.6	24.5	21.4	18.2	14.9
T/R	34.3	32.5	30.6	28.6	27.3	26.4	24.5	22.6	20.0	18.4	17.0	16.0	15.4	13.8	12.3	10.7	9.1	7.5
kW	5.30	5.19	5.09	4.98	4.92	4.87	4.77	4.67	41.89	40.71	39.57	38.88	38.42	37.24	36.10	34.96	33.78	32.64
Amps	22.8	21.3	20.1	19.0	18.4	18.0	17.1	16.3	15.7	15.1	14.5	14.2	14.0	13.4	12.6	12.0	11.2	10.3
COP	3.78	3.65	3.51	3.35	3.24	3.17	3.01	2.84	0.28	0.26	0.25	0.24	0.23	0.22	0.20	0.18	0.16	0.13
EER	12.9	12.5	12.0	11.5	11.1	10.8	10.3	9.7	1.0	0.9	0.9	0.8	0.8	0.7	0.7	0.6	0.5	0.5
Hi PR	370	354	341	326	318	312	300	288	276	263	253	247	242	233	224	215	207	200
Lo PR	125	116	108	99	94	90	83	74	67	60	52	49	47	40	34	29	25	20

Above information is for nominal CFM and 70° indoor dry bulb. Instantaneous capacity listed.
 High pressure is measured at the liquid line access fitting. kW = Total system power

Amps = Unit amps (comp.+ evaporator motor + condenser fan motor)
 Low pressure is measured at the compressor suction access fitting.

TEMPERATURE RISE RANGE CHART



HEAT KIT ELECTRICAL DATA (BLOWER ONLY, HEAT MODE)

MODEL AND HEAT KIT USAGE	CIRCUIT #1		CIRCUIT #2		SINGLE-POINT KIT		ACTUAL kW / BTU@ 240V
	MCA ¹	MOP ²	MCA ¹	MOP ²	MCA ¹	MOP ²	
GPH1324H41**	1.9	---	---	---	--	--	---
HKR-05*, HKR-05C*	21 / 25	25 / 25	---	---	43	50	4.75 / 16,200
HKR-08*, HKR-08C*	32 / 36	35 / 40	---	---	55	60	7 / 23,800
HKR-10*, HKR-10C*	43 / 49	45 / 50	---	---	68	70	9.5 / 32,400
GPH1330H41**	2.3	---	---	---	--	--	---
HKR-05*, HKR-05C*	21 / 25	25 / 25	--	--	45	50	4.75 / 16,200
HKR-08*, HKR-08C*	32 / 36	35 / 40	--	--	57	60	7 / 23,800
HKR-10*, HKR-10C*	43 / 49	45 / 50	--	--	70	80	9.5 / 32,400
HKP-15C*	43 / 49	45 / 50	21 / 25	25 / 25	95	100	14.25 / 48,600
GPH1336H41**	2.3	---	---	---	--	--	---
HKR-05*, HKR-05C*	21 / 25	25 / 25	---	---	49	60	4.75 / 16,200
HKR-08*, HKR-08C*	32 / 36	35 / 40	---	---	61	70	7 / 23,800
HKR-10*, HKR-10C*	43 / 49	45 / 50	---	---	74	80	9.5 / 32,400
HKP-15C*	43 / 49	45 / 50	21 / 25	25 / 25	98	100	14.25 / 48,600
GPH1342H41**	3.6	---	---	---	--	--	---
HKR-05*, HKR-05C*	21 / 25	25 / 25	--	--	51	60	4.75 / 16,200
HKR-08*, HKR-08C*	32 / 36	35 / 40	--	--	63	70	7 / 23,800
HKR-10*, HKR-10C*	43 / 49	45 / 50	--	--	76	80	9.5 / 32,400
HKP-15C*	43 / 49	45 / 50	21 / 25	25 / 25	101	110	14.25 / 48,600
HKP-20C*	43 / 49	45 / 50	43 / 49	45 / 50	128	150	19.0 / 64,800
GPH1348H41**	3.6	---	---	---	--	--	---
HKR-05*, HKR-05C*	21 / 25	25 / 25	---	---	54	60	4.75 / 16,200
HKR-08*, HKR-08C*	32 / 36	35 / 40	---	---	66	70	7 / 23,800
HKR-10*, HKR-10C*	43 / 49	45 / 50	---	---	79	80	9.5 / 32,400
HKP-15C*	43 / 49	45 / 50	21 / 25	25 / 25	103	110	14.25 / 48,600
HKP-20C*	43 / 49	45 / 50	43 / 49	45 / 50	131	150	19.0 / 64,800
GPH1360H41**	7.5	---	---	---	--	--	---
HKR-05*, HKR-05C*	21 / 25	25 / 25	---	---	65	80	4.75 / 16,200
HKR-08*, HKR-08C*	32 / 36	35 / 40	---	---	77	90	7 / 23,800
HKR-10*, HKR-10C*	43 / 49	45 / 50	---	---	90	100	9.5 / 32,400
HKP-15C*	43 / 49	45 / 50	21 / 25	25 / 25	114	125	14.25 / 48,600
HKP-20C*	43 / 49	45 / 50	43 / 49	45 / 50	142	150	19.0 / 64,800

¹ Minimum Circuit Ampacity @ 208 / 240 V

² Maximum Overcurrent Protection Device @ 208 / 240 V

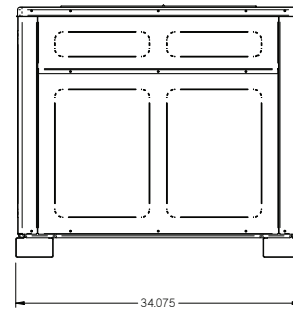
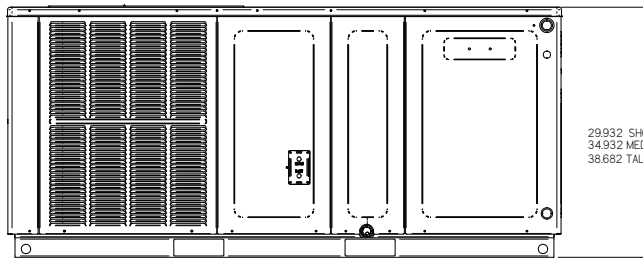
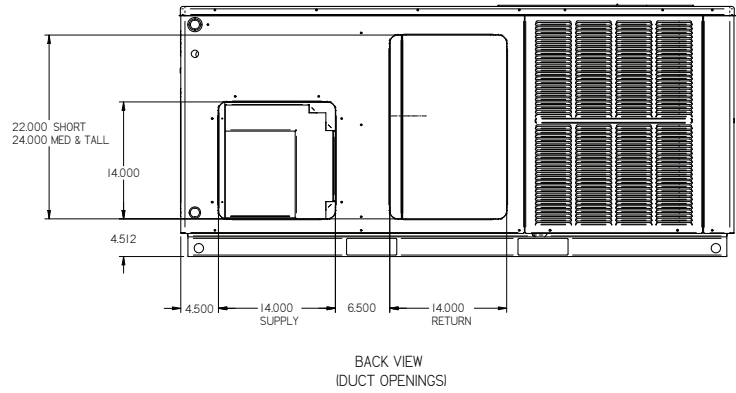
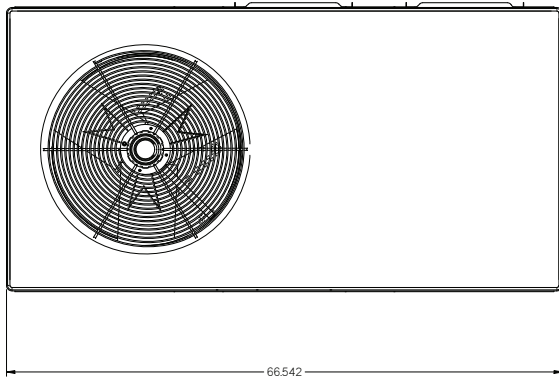
* Revision level that may or may not be designated

C Circuit breaker option

^ Heat Kit requires three-phase power supply

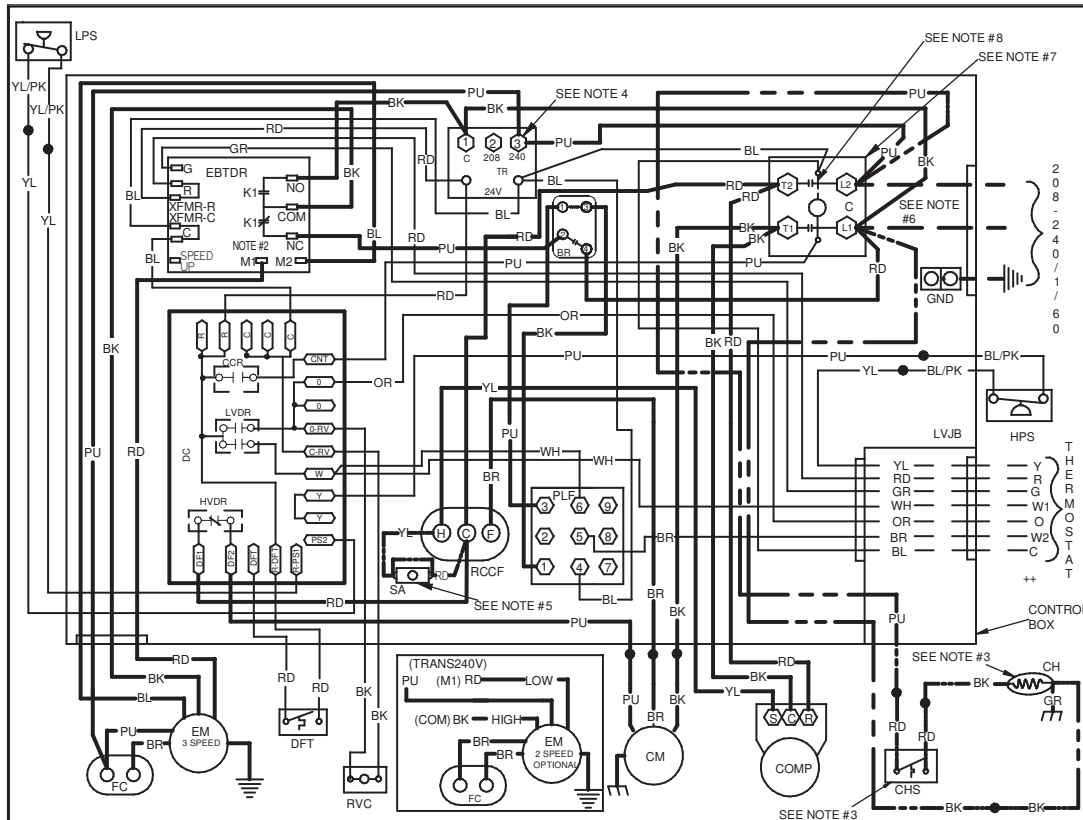
NOTE: HKP-15C* and HKP-20C* replace HKR-15C and HKR-20C respectively to meet new UL1995 requirements.

DIMENSIONS



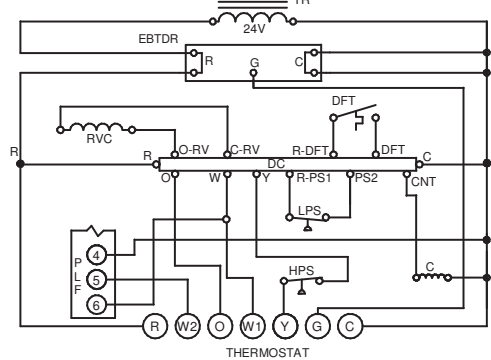
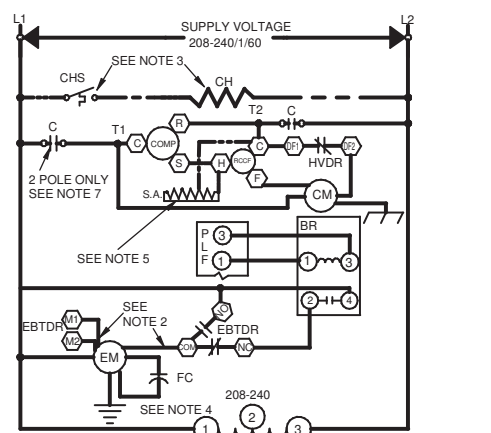
MODEL	DIMENSIONS			CHASSIS SIZE		
	W"	D"	H"	SMALL	MED.	LARGE
GPH1324H41**	66½	34	30	X		
GPH1330H41**	66½	34	30	X		
GPH1336H41**	66½	34	35		X	
GPH1342H41**	66½	34	35		X	
GPH1348H41**	66½	34	38⅔			X
GPH1360H41**	66½	34	38⅔			X

WIRING DIAGRAM — GPH1324-42H41C* / GPH1348HA1D*



High Voltage: Disconnect all power before servicing or installing this unit. Multiple power sources may be present. Failure to do so may cause property damage, personal injury, or death.

WARNING



COMPONENT LEGEND

BR	BLOWER INTERLOCK RELAY	---	LINE VOLTAGE
C	CONTACTOR	---	LOW VOLTAGE
CCR	COMPRESSOR CONTACTOR RELAY	---	OPTIONAL HIGH VOLTAGE
CH	CRANKCASE HEATER	---	FIELD WIRING
CHS	CRANKCASE HEATER SWITCH	---	HIGH VOLTAGE
CM	CONDENSER MOTOR	---	LOW VOLTAGE
COMP	COMPRESSOR		
DC	DEFROST CONTROL		
DFT	DEFROST THERMOSTAT		
EBTDR	ELECTRONIC BLOWER TIME DELAY RELAY		
EM	EVAPORATOR MOTOR		
FC	FAN CAPACITOR		
GND	EQUIPMENT GROUND		
HPS	HIGH PRESSURE SWITCH		
HVDR	HIGH VOLTAGE DEFROST RELAY		
LPS	LOW PRESSURE SWITCH		
LVDR	LOW VOLTAGE DEFROST RELAY		
LVJB	LOW VOLTAGE JUNCTION BOX		
PLF	FEMALE PLUG / CONNECTOR		
RVC	REVERSING VALVE COIL		
RCCF	RUN CAPACITOR FOR COMPRESSOR AND FAN		
SA	START ASSIST		
TR	TRANSFORMER		

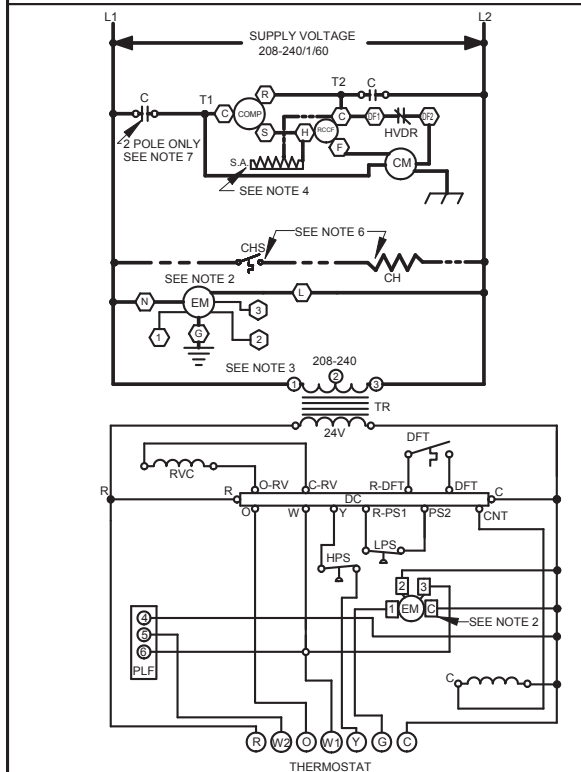
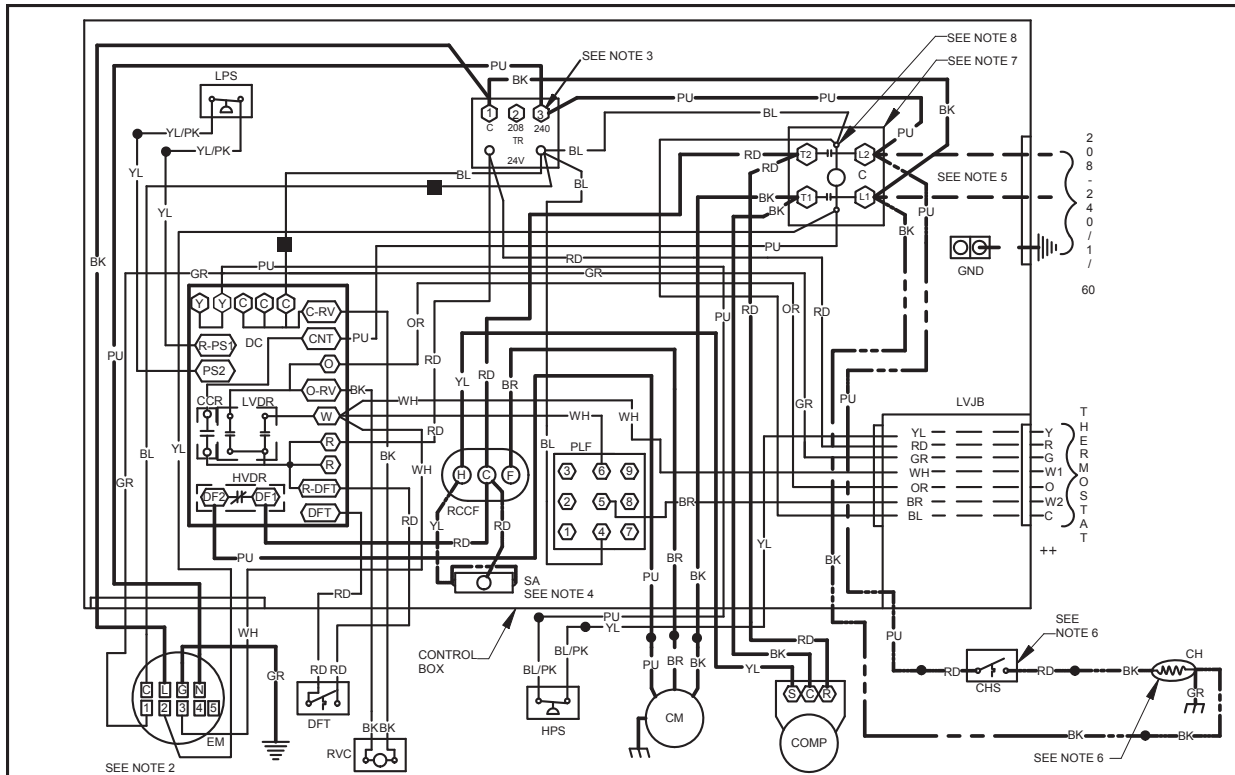
	BK	BLACK
	BL	BLUE
	BR	BROWN
	GR	GREEN
	OR	ORANGE
	PU	PURPLE
	RD	RED
	WH	WHITE
	YL	YELLOW

- NOTES:**
- REPLACEMENT WIRE MUST BE SAME SIZE AND TYPE INSULATION AS ORIGINAL (AT LEAST 105°C) USE COPPER CONDUCTOR ONLY.
 - TO CHANGE EVAPORATOR MOTOR SPEED REPLACE LEAD ON EBTDR "COM" WITH LEAD ON EBTDR "M1" OR "M2".
 - CRANKCASE HEATER AND CRANKCASE HEATER SWITCH FACTORY EQUIPPED WHEN REQUIRED.
 - FOR 208 VOLT TRANSFORMER OPERATION MOVE PURPLE WIRES FROM TERMINAL 3 TERMINAL 2 ON TRANSFORMER.
 - START ASSIST FACTORY EQUIPPED WHEN REQUIRED.
 - USE COPPER CONDUCTORS ONLY ++ USE N.E.C. CLASS 2 WIRE.
 - DOUBLE POLE CONTACTOR SHOWN. SINGLE POLE C CONTACTOR COULD BE FACTORY EQUIPPED AS AN ALTERNATE CONFIGURATION.
 - COMMON SIDE OF CONTACTOR C AN NOT BE GROUNDED OR CONNECTED TO ANY OTHER COMMON (24V).

SEE UNIT RATING PLATE FOR TYPE AND SIZE OF OVER CURRENT PROTECTION

0140G01745-B

WIRING DIAGRAM — GPH1360H41D*



- COMPONENT LEGEND**
- C CONTACTOR
 - CCR COMPRESSOR CONTACTOR RELAY
 - CH CRANKCASE HEATER
 - CHS CRANKCASE HEATER SWITCH
 - CM CONDENSER MOTOR
 - COMP COMPRESSOR
 - DC DEFROST CONTROL
 - DFT DEFROST THERMOSTAT
 - EM EVAPORATOR MOTOR
 - GND EQUIPMENT GROUND
 - HVD HIGH VOLTAGE DEFROST RELAY
 - LPS LOW PRESSURE SWITCH
 - LVDR LOW VOLTAGE DEFROST RELAY
 - LVJB LOW VOLTAGE JUNCTION BOX
 - PLF FEMALE PLUG / CONNECTOR
 - RVC REVERSING VALVE COIL
 - RCCF RUN CAPACITOR FOR COMPRESSOR AND FAN
 - SA START ASSIST
 - HPS HIGH PRESSURE SWITCH
- FACTORY WIRING**
- LINE VOLTAGE
 - LOW VOLTAGE
 - OPTIMAL HIGH
 - VOLTAGE
- FIELD WIRING**
- HIGH VOLTAGE
 - LOW VOLTAGE
- WIRE CODE**
- BK BLACK
 - BL BLUE
 - BR BROWN
 - GR GREEN
 - OR ORANGE
 - PU PURPLE
 - RD RED
 - WH WHITE
 - YL YELLOW

- NOTES:**
- REPLACEMENT WIRE MUST BE SAME SIZE AND TYPE INSULATION AS ORIGINAL (AT LEAST 105°C) USE COPPER CONDUCTOR ONLY.
 - TO CHANGE EVAPORATOR MOTOR SPEED MOVE WHITE AND YELLOW LEADS FROM EM"2" AND "3" TO "4" AND "5". IF BOTH LEADS ARE ENERGIZED, THE HIGHER SPEED SETTING IS USED.
 - FOR 208 VOLT TRANSFORMER OPERATION MOVE PURPLE WIRES FROM TERMINAL 3 TO TERMINAL 2 ON TRANSFORMER.
 - START ASSIST FACTORY EQUIPPED WHEN REQUIRED
 - USE COPPER CONDUCTORS ONLY
 - ++ USE N.E.C. CLASS 2 WIRE
 - CRANKCASE HEATER AND CRANKCASE HEATER SWITCH FACTORY EQUIPPED WHEN REQUIRED.
 - DOUBLE POLE CONTACTOR SHOWN. SINGLE POLE CONTACTOR COULD BE FACTORY EQUIPPED AS AN ALTERNATE CONFIGURATION.
 - COMMON SIDE OF CONTACTOR CAN NOT BE GROUNDED OR CONNECTED TO ANY OTHER COMMON (24V).

SEE UNIT RATING PLATE FOR TYPE AND SIZE OF OVER CURRENT PROTECTION

Wiring is subject to change. Always refer to the wiring diagram or the unit for the most up-to-date wiring.



WARNING

High Voltage: Disconnect all power before servicing or installing this unit. Multiple power sources may be present. Failure to do so may cause property damage, personal injury, or death.



ACCESSORIES

ACCESSORY DESCRIPTION	ITEM NUMBER	
	SMALL CHASSIS	MEDIUM/LARGE CHASSIS
Downflow Economizer	PCE101-103	PCE101-103
Downflow Plenum Kit	PCP101-103	PCP101-103
Downflow Plenum Kit (R-8)	PCP101-103 R8	PCP101-103 R8
Elbow Flashing w/ R-8 Liner	PCEF101-103	PCEF101-103
Emergency Heat Relay	OT/EHR18-60	OT/EHR18-60
External Horizontal Filter Rack	GPGHFR101-103	GPGHFR101-103
Horizontal Economizer	PEHH101-103	PEHH101-103
Manual Damper	PCMD101-103	PCMD101-103
Manual Damper- Horizontal Application	PCMDH101-103	PCMDH101-103
Motorized Damper	PCMDM101-103	PCMDM101-103
Outdoor Thermostat w/ Lockout Stat	OT18-60A	OT18-60A
Roof Curb	PCCP101-103	PCCP101-103
Square to Round	SQRPC101	SQRPC102/103
Square to Round for Horizontal Application	SQRPCH101	SQRPCH102/103

SINGLE-POINT KIT ACCESSORY KITS

Select the single-point kit accessory based on the unit model.

MODEL	SINGLE-POINT KIT
GPH1324H41**	SPK-30
GPH1330H41**	SPK-35
GPH1336H41**	SPK-40
GPH1342H41**	SPK-40
GPH1348H41**	SPK-50
GPH1360H41**	SPK-60